



# Industrial Lighting CATALOGUE

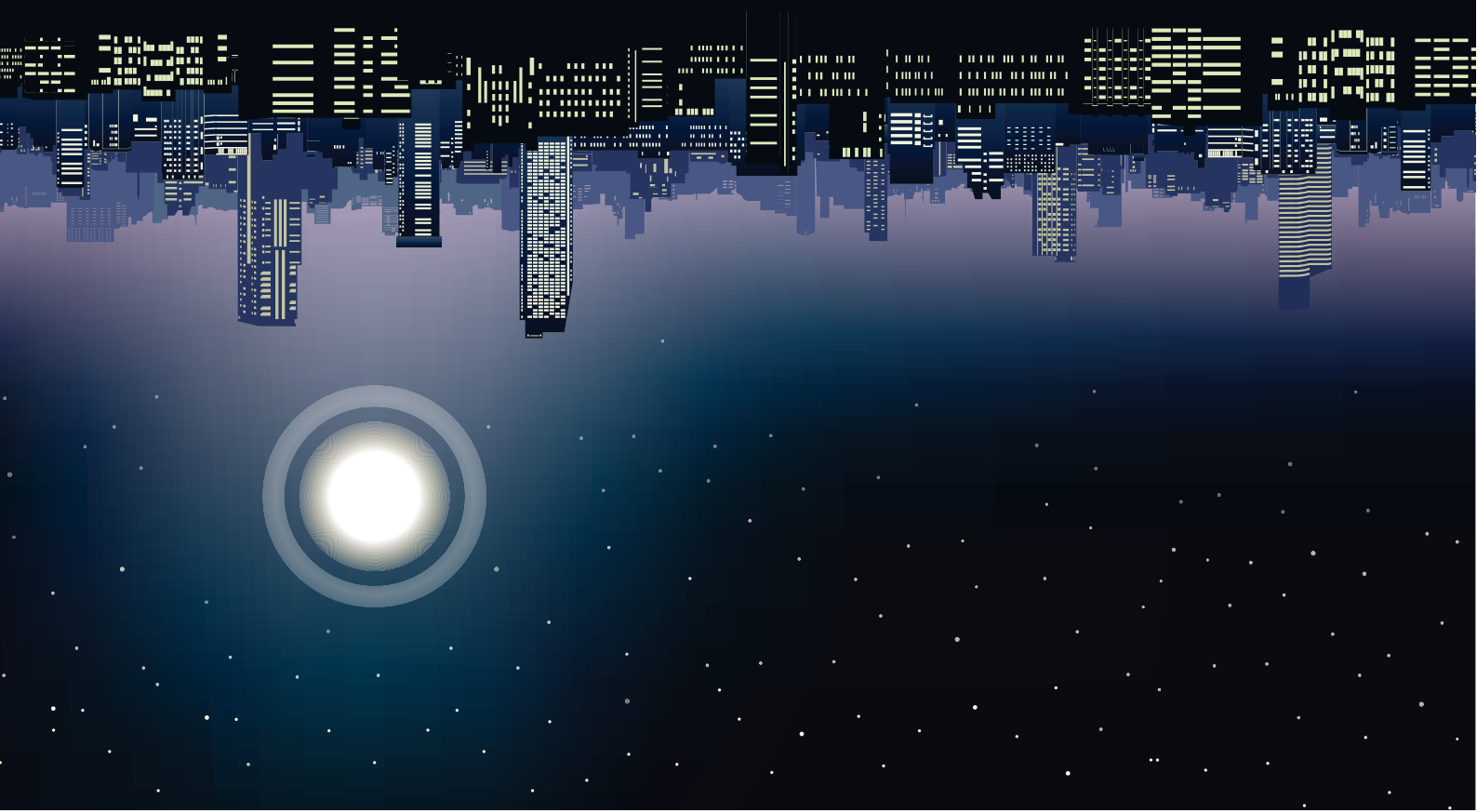
2024-2025

# Who We Are

Smart lighting company established in 2016 as a lighting solution provider working with the projects from the designing phase passing through the products estimation till installing it on the site .

Based in the Egyptian market specialized at energy saving field by using led lighting systems, as we have factory that making over 50% of our products in Egypt with high quality according to universality specifications.

Smart lighting company is dealing with the elite of international companies specialized at the lighting systems, like (Cree - Osram - Schwabe - Bridgelux - Phillips - Samsung ) in manufacturing chips field with both type (COB - SMD) and (Phillips - Meanwell - Schwabe - Tridonic) on manufacturing drivers.





## Our Vision

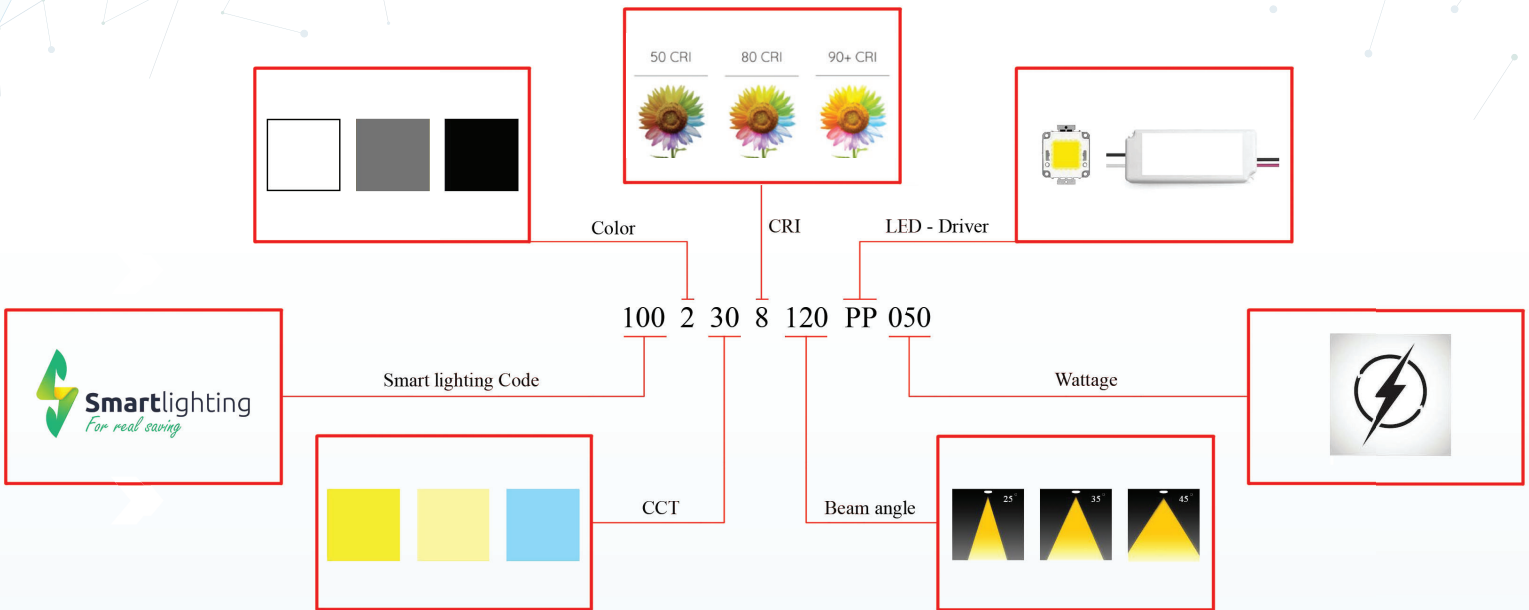
“To pioneer Egypt's LED lighting sector with cutting-edge, sustainable solutions, enriching lives and setting new benchmarks in the industry.”

## Our Mission

- Our mission is to make and sell the latest version of led lighting systems , we believe that light is a part of every thing and its knowledge should be shared through our products and services .
- Highly qualified employees will bring both saving and safety to our valuable customers in the Egyptian market .
- With one of the strongest sales teams we will hit the numbers and keep our growth of profitability on the highest level.



# CODING SYSTEM



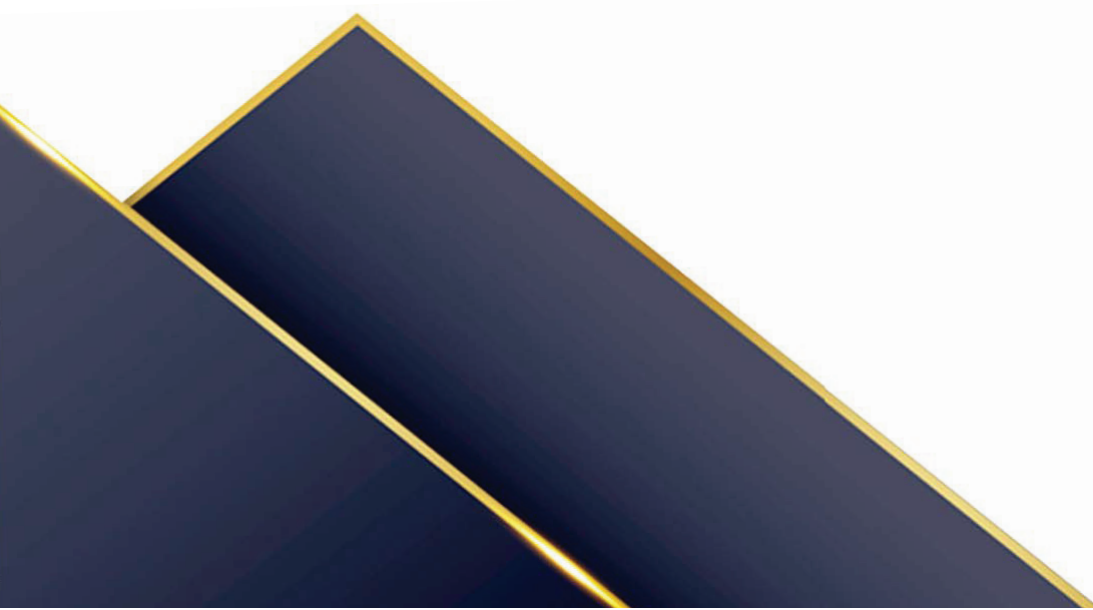


# **INDUSTRIAL** Lighting



## Smart lighting

"Smart industrial lighting delivers robust, efficient, and reliable illumination for demanding work environments. Designed for large-scale facilities, warehouses, and outdoor industrial areas, our lighting solutions provide high-performance brightness while optimizing energy use. Built to withstand tough conditions, our systems ensure safety and productivity around the clock. Whether enhancing visibility in production areas or improving security across large spaces, our industrial lighting offers durability and precision, engineered to meet the unique needs of industrial settings."



# Highbay

SLT- 5005 - Mega With Arm



## PERFORMANCE DATA

**Efficacy :** 140 Lm/W

**Input Voltage :** 220 - 240V

**Frequency :** 50-60Hz

**Color Rendering :** CRI 80

**Color Temperature :** 6500K

**Life Time :** 50.000 hrs

**Optic :** 120 °

**Class :** I

## MECHANICAL SPECIFICATIONS

**Material :** Diecast Aluminum

**Frame :** Plastic

**Mounting :** Suspended

**Lens :** Glass

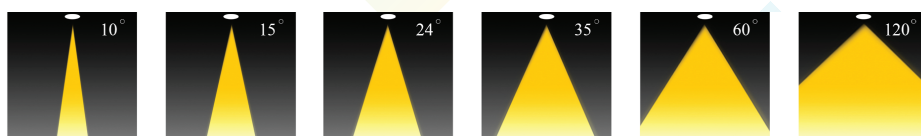
**Finish :** Black

**Protection Class :** IP 65

**Mechanical Resistance :** IK 08

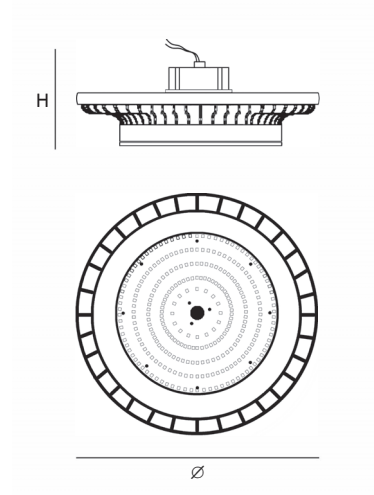


## OPTICS





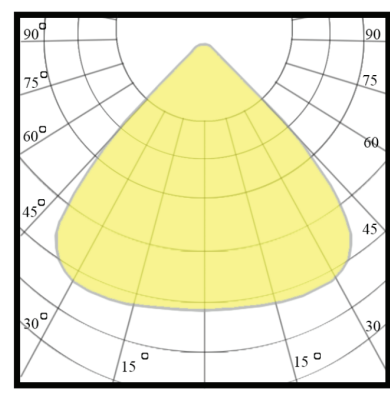
Code	Power W	Efficacy Lm/W	Colour Temp.	Dimensions ∅ xH mm	Driver	LED Chip	Weight Kg
1042XX8120LXXXX	100 150 200 240	140	3000 4000 6500	354x144 mm	Lifud Philips	Lumileds	5.080



## CUSTOMISZE OPTIONS

- 3K  
Light  
Temperature  
3000K
- 4K  
Light  
Temperature  
4000K
- 6.5K  
Light  
Temperature  
6500K
- CRI  
>80  
Color  
Rendering  
Index >80
- DALI
- IK10

## POLAR CURVE



# Highbay

SLT- 5007 - Mega



## PERFORMANCE DATA

**Efficacy :** 140 Lm/W

**Input Voltage :** 220 - 240V

**Frequency :** 50-60Hz

**Color Rendering :** CRI 80

**Color Temperature :** 6500K

**Life Time :** 50.000 hrs

**Optic :** 120°

**Class :** I

## MECHANICAL SPECIFICATIONS

**Material :** Diecast Aluminum

**Frame :** Plastic

**Mounting :** Suspended

**Lens :** Glass

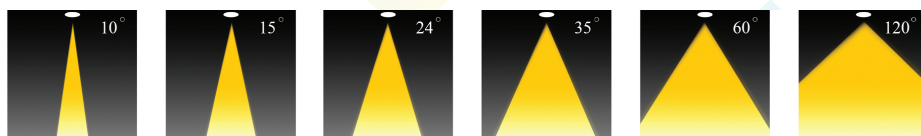
**Finish :** Black

**Protection Class :** IP 65

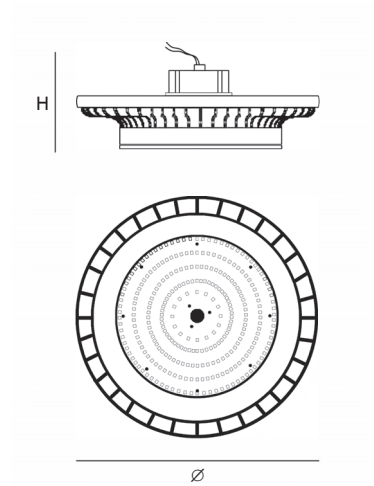
**Mechanical Resistance :** IK 08



## OPTICS



Code	Power W	Efficacy Lm/W	Colour Temp. K	Dimensions ∅ xH mm	Driver	LED Chip	Weight Kg
1062XX8120LXXXX	100 150 200 240	140	3000 4000 6500	354x144 mm	Lifud Philips Done	Lumileds	5.080



## CUSTOMISZE OPTIONS

3K

Light  
Temperature  
3000K

4K

Light  
Temperature  
4000K

6.5K

Light  
Temperature  
6500K

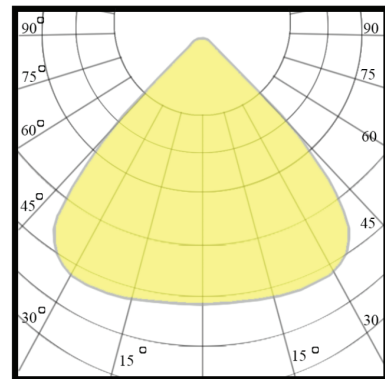
CRI  
>80

Color  
Rendering  
Index >80

DALI

IK10

## POLAR CURVE



# Highbay

SLT- 5012 - Mega



## PERFORMANCE DATA

**Efficacy :** 140 Lm/W

**Input Voltage :** 220 - 240V

**Frequency :** 50-60Hz

**Color Rendering :** CRI 80

**Color Temperature :** 6500 K

**Life Time :** 50.000 hrs

**Optic :** 120 °

**Class :** I

## MECHANICAL SPECIFICATIONS

**Material :** Diecast Aluminum

**Frame :** Metal

**Mounting :** Suspended

**Lens :** Glass

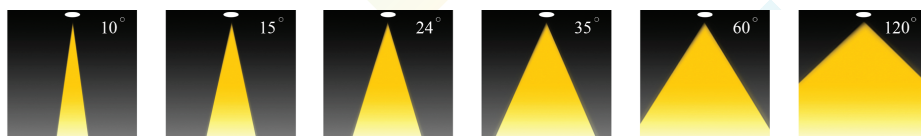
**Finish :** Black

**Protection Class :** IP 65

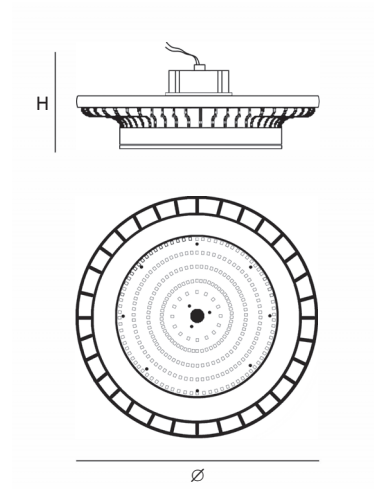
**Mechanical Resistance :** IK 08



## OPTICS



Code	Power W	Efficacy Lm/W	Colour Temp. K	Dimensions ∅ xH mm	Driver	LED Chip	Weight Kg
50122XX8120LXXXX	100 150 200 240	140	3000 4000 6500	354x144 mm	Lifud Philips Done	Lumileds	5.080



## CUSTOMISZE OPTIONS

3K

Light  
Temperature  
3000K

4K

Light  
Temperature  
4000K

6.5K

Light  
Temperature  
6500K

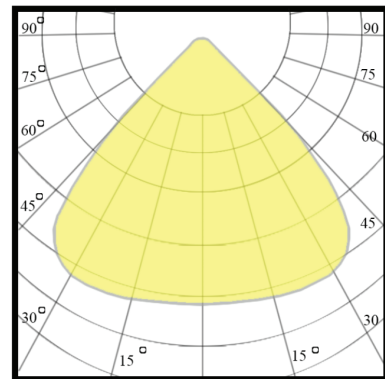
CRI  
>80

Color  
Rendering  
Index >80

DALI

IK10

## POLAR CURVE



# Highbay

SLT- 5013 - Mega With Arm



## PERFORMANCE DATA

**Efficacy :** 140 Lm/W

**Input Voltage :** 220 - 240V

**Frequency :** 50-60Hz

**Color Rendering :** CRI 80

**Color Temperature :** 6500K

**Life Time :** 50.000 hrs

**Optic :** 120 °

**Class :** I

## MECHANICAL SPECIFICATIONS

**Material :** Diecast Aluminum

**Frame :** Metal

**Mounting :** Suspended

**Lens :** Glass

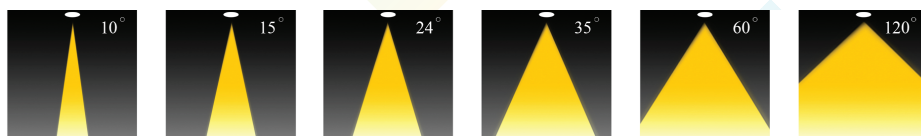
**Finish :** Black

**Protection Class :** IP 65

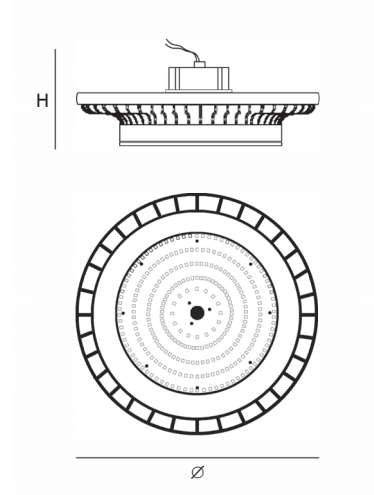
**Mechanical Resistance :** IK 08



## OPTICS



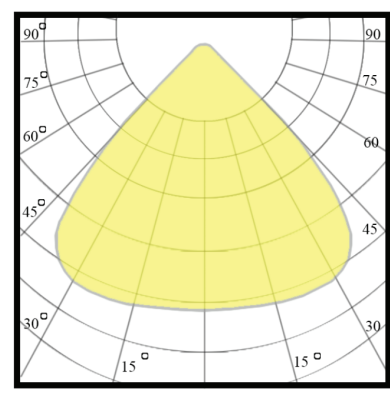
Code	Power W	Efficacy Lm/W	Colour Temp. K	Dimensions ∅ xH mm	Driver	LED Chip	Weight Kg
50132XX8120LXXXXX	100 150 200 240	140	3000 4000 6500	354x144 mm	Lifud Philips	Lumileds	5.080



## CUSTOMISZE OPTIONS

- 3K  
Light  
Temperature  
3000K
- 4K  
Light  
Temperature  
4000K
- 6.5K  
Light  
Temperature  
6500K
- CRI  
>80  
Color  
Rendering  
Index >80
- DALI
- IK10

## POLAR CURVE



# Highbay

SLT-5016-Mega



## PERFORMANCE DATA

**Efficacy :** 140 Lm/W

**Input Voltage :** 220 - 240V

**Frequency :** 50-60Hz

**Color Rendering :** CRI 80

**Color Temperature :** 6500 K

**Life Time :** 50.000 hrs

**Optic :** 120 °

**Class :** I

## MECHANICAL SPECIFICATIONS

**Material :** Diecast Aluminum

**Frame :** Metal

**Mounting :** Suspended

**Lens :** Glass

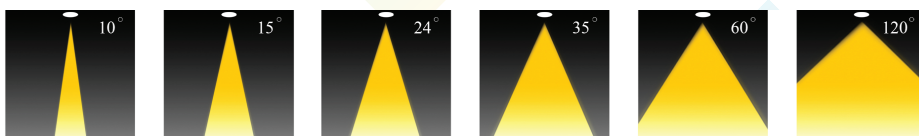
**Finish :** Black

**Protection Class :** IP 65

**Mechanical Resistance :** IK 08

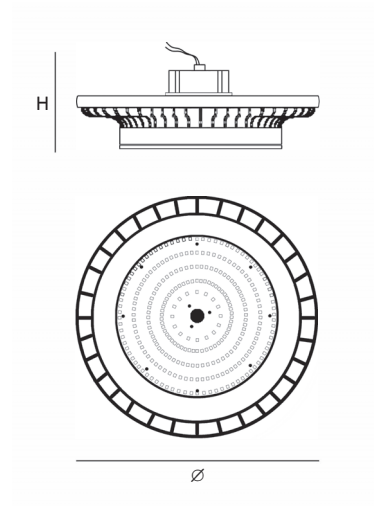


## OPTICS





Code	Power W	Efficacy Lm/W	Colour Temp. K	Dimensions ∅ xH mm	Driver	LED Chip	Weight Kg
50162XX8120LXXXX	100 150 200 240	140	3000 4000 6500	354x144 mm	Moso Philips Meanwell	Lumileds	5.080



## CUSTOMISZE OPTIONS

3K

Light  
Temperature  
3000K

4K

Light  
Temperature  
4000K

6.5K

Light  
Temperature  
6500K

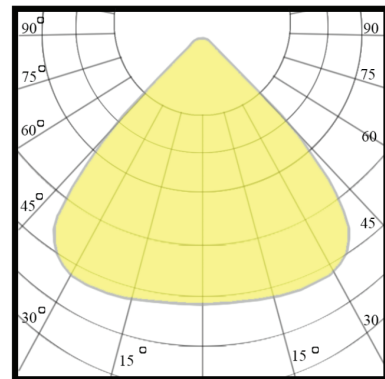
CRI  
>80

Color  
Rendering  
Index >80

DALI

IK10

## POLAR CURVE



# Highbay

SLT - 5009



## PERFORMANCE DATA

**Efficacy :** 130 Lm/W

**Input Voltage :** 220 - 240V

**Frequency :** 50-60Hz

**Color Rendering :** CRI 80

**Color Temperature :** 6500K

**Life Time :** 50.000 hrs

**Optic :** 90 °

**Class :** I

## MECHANICAL SPECIFICATIONS

**Material :** Diecast Aluminum

**Mounting :** Suspended

**Lens :** PC

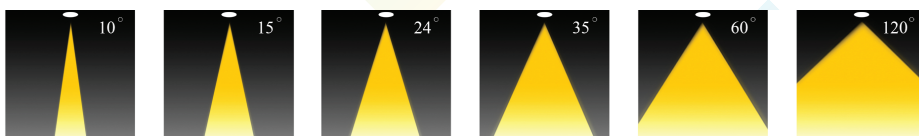
**Finish :** Black

**Protection Class :** IP 65

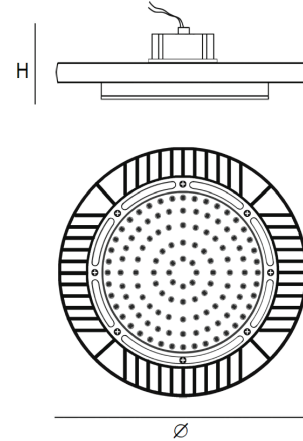
**Mechanical Resistance :** IK 08



## OPTICS



Code	Power W	Efficacy Lm/W	Colour Temp. K	Dimensions ∅ xH mm	Driver	LED Chip	Weight Kg
1082308120LLXXX	100 120 150 200 250	140	3000 4000 6500	297x105 mm	CE Philips Lifud Done	Lumileds	2.720



## CUSTOMISZE OPTIONS

3K

Light  
Temperature  
3000K

4K

Light  
Temperature  
4000K

6.5K

Light  
Temperature  
6500K

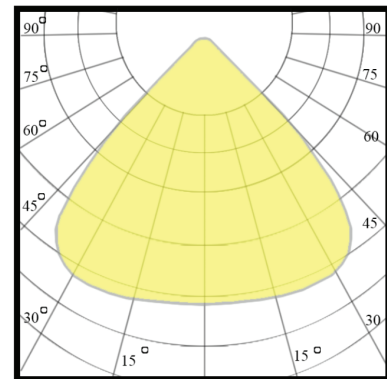
CRI  
>80

Color  
Rendering  
Index >80

DALI

IK10

## POLAR CURVE



# Flood Light

SLT- 4005



## PERFORMANCE DATA

**Efficacy :** 130 Lm/W

**Input Voltage :** 220 - 240V

**Frequency :** 50-60Hz

**Color Rendering :** CRI 80

**Color Temperature :** 6500K

**Life Time :** 50.000 hrs

**Optic :** 120 °

**Class :** II

## MECHANICAL SPECIFICATIONS

**Material :** Diecast Aluminum

**Mounting :** Surface mounted

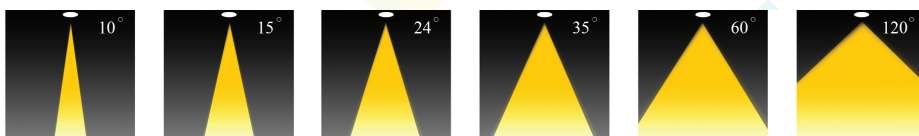
**Lens :** Glass

**Finish :** Gray

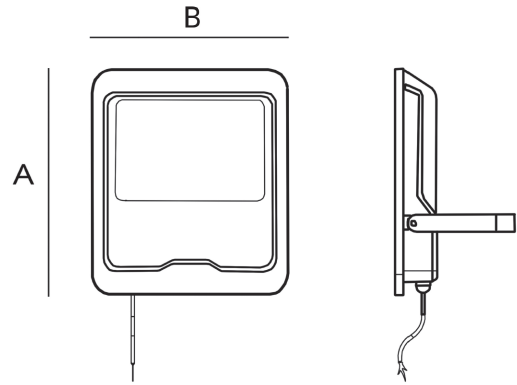
**Protection Class :** IP 65

**Mechanical Resistance :** IK 08

## OPTICS



Code	Power W	Efficacy Lm/W	Colour Temp. K	Dimensions AxB mm	Driver	LED Chip	Weight Kg
1143XX8120LXXXX	50 150 200 300	130	3000 4000 6500	503x384 mm	CE Philips Lifud Moso	Lumiled	2.585



## CUSTOMISZE OPTIONS

3K

Light  
Temperature  
3000K

4K

Light  
Temperature  
4000K

6.5K

Light  
Temperature  
6500K

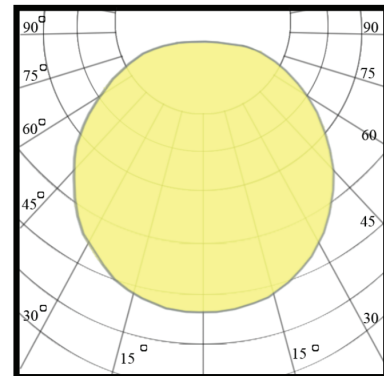
CRI  
>80

Color  
Rendering  
Index >80

DALI

IK10

## POLAR CURVE



# Flood Light

SLT-4042



## PERFORMANCE DATA

**Efficacy :** 160 Lm/W

**Input Voltage :** 220 - 240V

**Frequency :** 50-60Hz

**Color Rendering :** CRI 70

**Color Temperature :** 4000K-6500K

**Life Time :** 50.000 hrs

**Optic :** 120°

**Class :** II

## MECHANICAL SPECIFICATIONS

**Material :** Diecast Aluminum

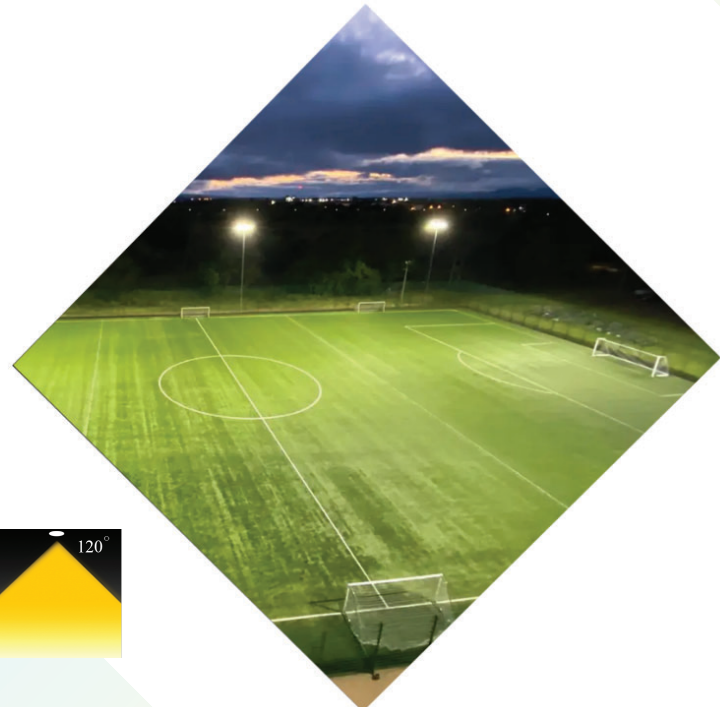
**Mounting :** Surface mounted

**Lens :** Opal

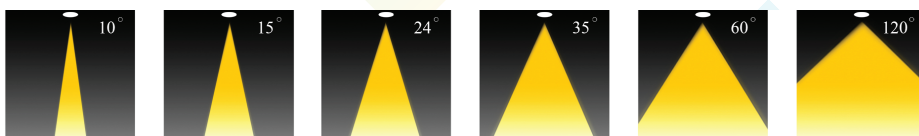
**Finish :** Gray

**Protection Class :** IP 65

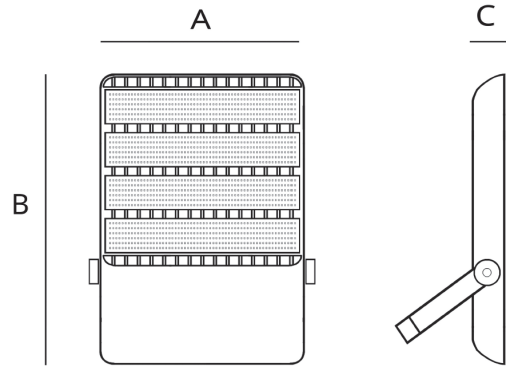
**Mechanical Resistance :** IK 08



## OPTICS



Code	Power W	Efficacy Lm/W	Colour Temp. K	Dimensions AxBxC mm	Driver	LED Chip	Weight
404236570120XPXXX	300 400 500 600	160	4000 6500	537x474x60 mm 537x474x60 mm 537x570x60 mm 537x570x60 mm	Philips	Lumiled Philips	



## CUSTOMISZE OPTIONS

3K

Light  
Temperature  
3000K

4K

Light  
Temperature  
4000K

6.5K

Light  
Temperature  
6500K

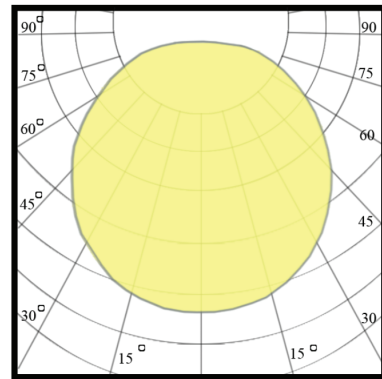
CRI  
>80

Color  
Rendering  
Index >80

DALI

IK10

## POLAR CURVE



# Flood Light

SLT-4018



## PERFORMANCE DATA

**Efficacy :** 130 Lm/W

**Input Voltage :** 100-265 V

**Frequency :** 50 Hz

**Color Rendering :** CRI 70

**Color Temperature :** 6000 K

**Life Time :** 50.000 hrs

**Optic :** 90 °

**Class :** II

## MECHANICAL SPECIFICATIONS

**Material :** Diecast Aluminum

**Mounting :** Surface - Wall mounted

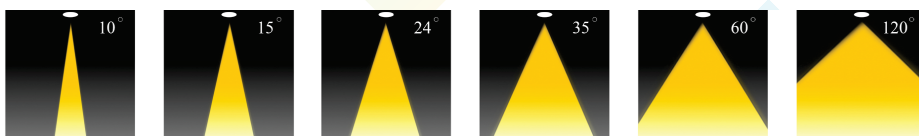
**Lens :** Glass

**Finish :** Gray

**Protection Class :** IP 66

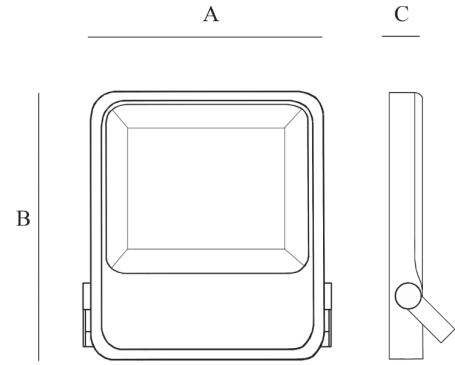
**Mechanical Resistance :** IK 08

## OPTICS





Code	Power W	Efficacy Lm/W	Colour Temp. K	Dimensions AxBxC mm	Driver	LED Chip	Weight Kg
40183607090LXXXX	300 400	130	6000	490×520×65mm	Done Lifud Philips Moso	Lumiled	7.730



## CUSTOMISZE OPTIONS

3K

Light  
Temperature  
3000K

4K

Light  
Temperature  
4000K

6.5K

Light  
Temperature  
6500K

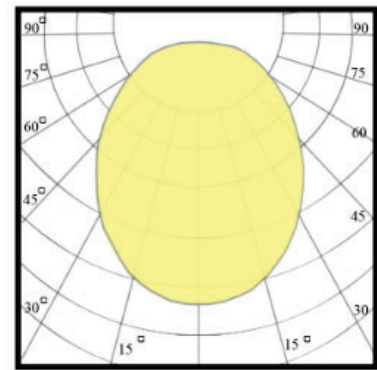
CRI  
>80

Color  
Rendering  
Index >80

DALI

IK10

## POLAR CURVE



# Flood Light

SLT-4019



## PERFORMANCE DATA

**Efficacy :** 130 Lm/W

**Input Voltage :** 100-265 V

**Frequency :** 50 Hz

**Color Rendering :** CRI 70

**Color Temperature :** 6000 K

**Life Time :** 30.000-50.000hrs

**Optic :** 90 °

**Class :** II

## MECHANICAL SPECIFICATIONS

**Material :** Diecast Aluminum

**Mounting :** Surface - Wall mounted

**Lens :** Glass

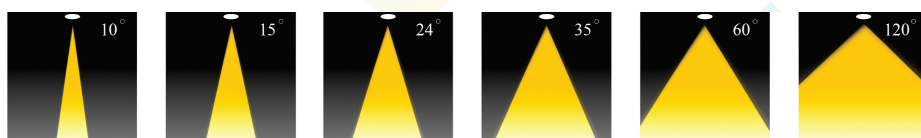
**Finish :** Gray

**Protection Class :** IP 66

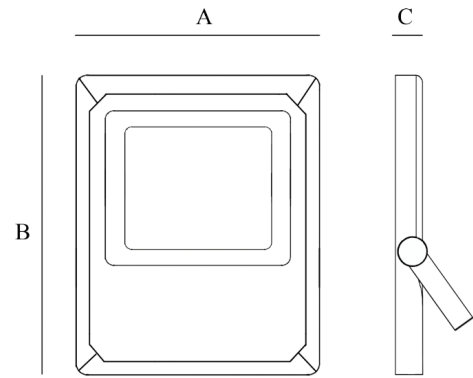
**Mechanical Resistance :** IK 08



## OPTICS



Code	Power W	Efficacy Lm/W	Colour Temp. K	Dimensions AxBxC mm	Driver	LED Chip	Weight Kg
40193607090LXXXX	300 400	130	6000	495×445×100mm	Done Lifud Philips Moso	Lumiled	7.060



## CUSTOMISZE OPTIONS

3K

Light  
Temperature  
3000K

4K

Light  
Temperature  
4000K

6.5K

Light  
Temperature  
6500K

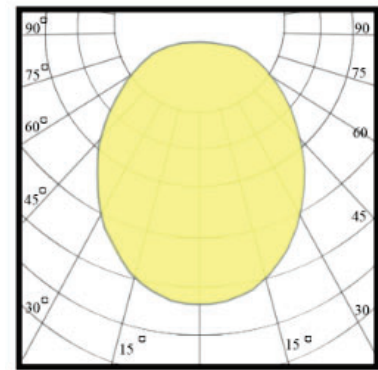
CRI  
>80

Color  
Rendering  
Index >80

DALI

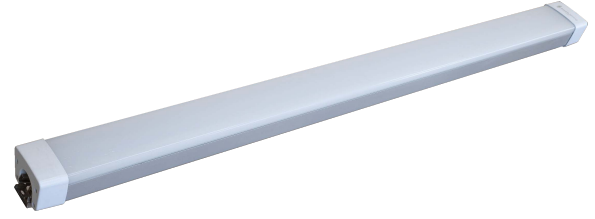
IK10

## POLAR CURVE



# Linear HighBay

SLT-2001



## PERFORMANCE DATA

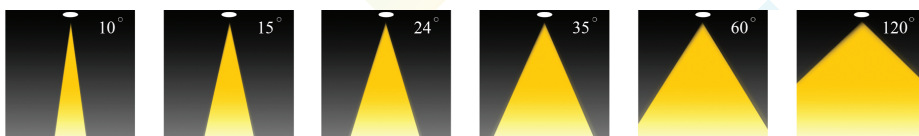
- Efficacy :** 110-130 Lm/W
- Input Voltage :** AC100-240W
- Frequency :** 50-60Hz
- Color Rendering :** CRI 80
- Color Temperature :** 6500K
- Life Time :** 50.000 hrs
- Optic :** 120 °
- Class :** I

## MECHANICAL SPECIFICATIONS

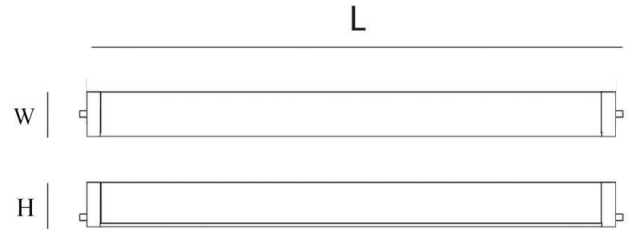
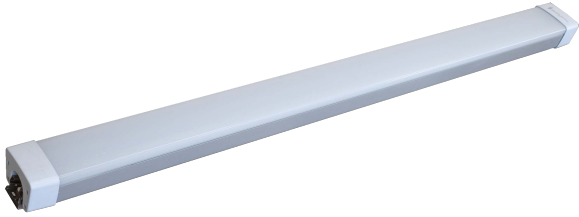
- Material :** Polycarbonate-Aluminum
- Mounting :** Wall - Surface Mounted
- Lens :** PC
- Finish :** White
- Protection Class :** IP 65
- Mechanical Resistance :** IK 08



## OPTICS



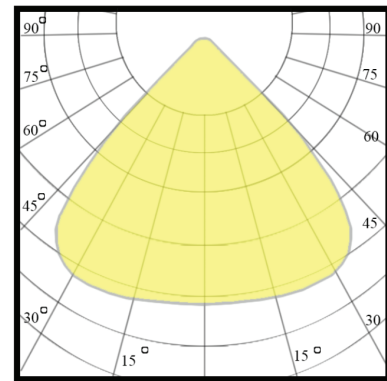
Code	Power W	Efficacy Lm/W	Colour Temp. K	Dimensions L×W×H mm	Driver	LED Chip	Weight Kg
1271XX8120LXXXX	60 85	130	3000 4000 6500	1200×90×70 mm	CE Philips	Lumiled	2.095



## CUSTOMISZE OPTIONS

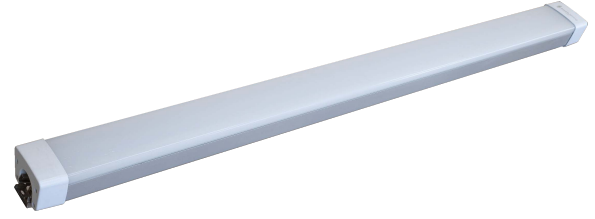
<b>3K</b>	<b>4K</b>	<b>6.5K</b>	<b>CRI &gt;80</b>	<b>DALI</b>	<b>IK10</b>
Light Temperature 3000K	Light Temperature 4000K	Light Temperature 6500K	Color Rendering Index >80		

## POLAR CURVE



# Linear HighBay

SLT-2002



## PERFORMANCE DATA

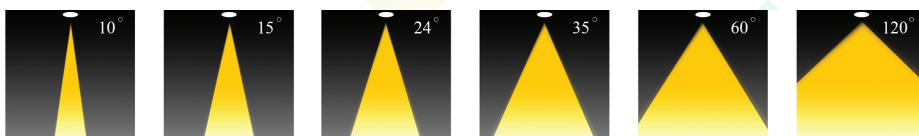
- Efficacy :** 110-130 Lm/W
- Input Voltage :** AC100-240W
- Frequency :** 50-60Hz
- Color Rendering :** CRI 80
- Color Temperature :** 3000K-4000K-6000K
- Life Time :** 50.000 hrs
- Optic :** 120 °
- Class :** I

## MECHANICAL SPECIFICATIONS

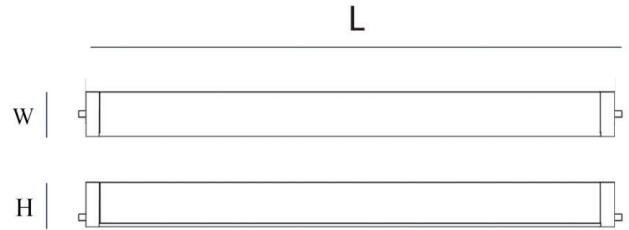
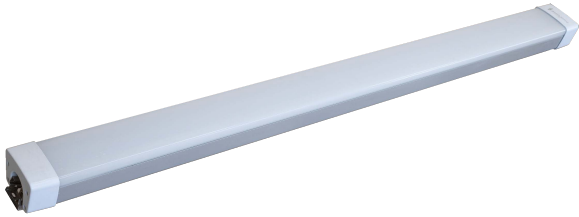
- Material :** Polycarbonate-Aluminum
- Mounting :** Wall - Surface Mounted
- Lens :** PC
- Finish :** White
- Protection Class :** IP 65
- Mechanical Resistance :** IK 08



## OPTICS



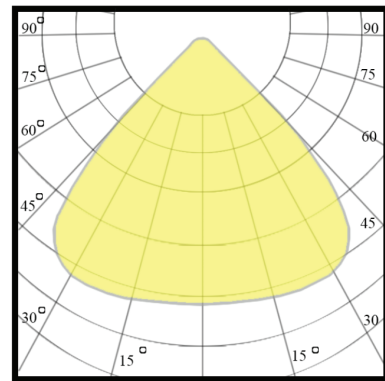
Code	Power W	Efficacy Lm/W	Colour Temp. K	Dimensions L×W×H mm	Driver	LED Chip	Weight Kg
1281XX8120LCXXX	50	110 130	3000 4000 6000	600×90×70 mm	CE Philips	Lumiled	1.080



## CUSTOMISZE OPTIONS

<b>3K</b>	<b>4K</b>	<b>6.5K</b>	<b>CRI &gt;80</b>	<b>DALI</b>	<b>IK10</b>
Light Temperature 3000K	Light Temperature 4000K	Light Temperature 6500K	Color Rendering Index >80		

## POLAR CURVE



# Weather proof

SLT-7007



## PERFORMANCE DATA

**Efficacy :** 125 Lm/W

**Input Voltage :** 220 - 240V

**Frequency :** 50-60Hz

**Color Rendering :** CRI 80

**Color Temperature :** 3000K-4000K-6500K

**Life Time :** 50,000 hrs

**Beam Angle :** 120°

**Class :** II

## MECHANICAL SPECIFICATIONS

**Material :** Polycarbonate

**Mounting :** Surface mounted

**Lens :** Opal

**Finish :** White

**Protection Class :** IP 65

**Mechanical resistance :** IK 08

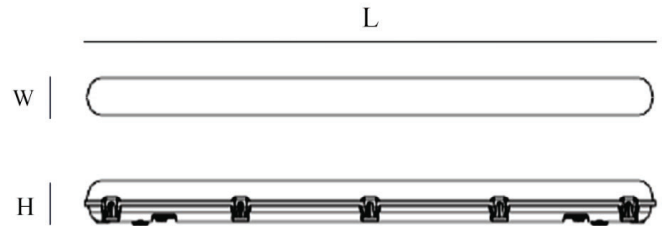


## OPTICS





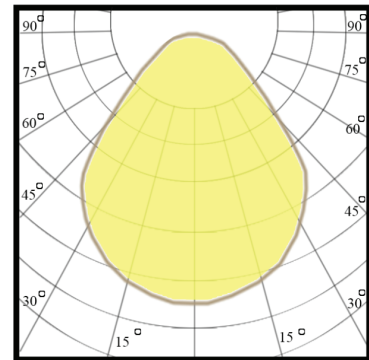
Code	Power W	Efficacy Lm/W	Colour Temp. K	Dimensions L×W×H mm	Driver	LED Chip	Weight Kg
7071XXXXXXXXXXXX	34 36 40	125	3000 4000 6500	1150×100×70 mm	VS Philips Tridonic	Cree Osram VS Tridonic	1.365



## CUSTOMISZE OPTIONS

<b>3K</b>	<b>4K</b>	<b>6.5K</b>	<b>CRI &gt;80</b>	<b>DALI</b>	<b>IK10</b>
Light Temperature 3000K	Light Temperature 4000K	Light Temperature 6500K	Color Rendering Index >80		

## POLAR CURVE



# Weather proof

SLT-7008



## PERFORMANCE DATA

**Efficacy :** 125 Lm/W

**Input Voltage :** 220 - 240V

**Frequency :** 50-60Hz

**Color Rendering :** CRI 80

**Color Temperature :** 3000K

**Life Time :** 50,000 hrs

**Beam Angle :** 120°

**Class :** II

## MECHANICAL SPECIFICATIONS

**Material :** Polycarbonate

**Mounting :** Surface mounted

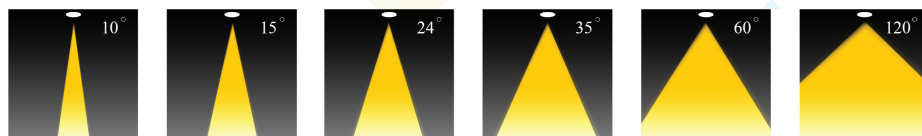
**Lens :** Opal

**Finish :** White

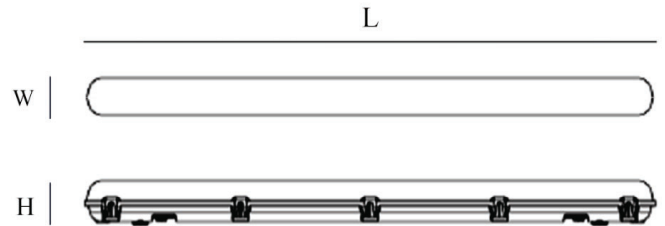
**Protection Class :** IP 65

**Mechanical resistance :** IK 08

## OPTICS



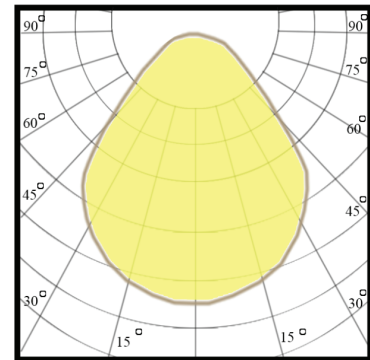
Code	Power W	Efficacy Lm/W	Colour Temp. K	Dimensions L×W×H mm	Driver	LED Chip	Weight
708130XXXXOT020	20	125	3000	670×90×90 mm	VS Philips Tridonic	Cree Osram VS Tridonic	1.120



## CUSTOMISZE OPTIONS

<b>3K</b>	<b>4K</b>	<b>6.5K</b>	<b>CRI &gt;80</b>	<b>DALI</b>	<b>IK10</b>
Light Temperature 3000K	Light Temperature 4000K	Light Temperature 6500K	Color Rendering Index >80		

## POLAR CURVE



# Weather proof

T8 TUBE - 2 lamps



## PERFORMANCE DATA

**Efficacy :** 95 Lm/W

**Input Voltage :** 220 V

**Frequency :** 50-60Hz

**Color Rendering :** CRI 80

**Color Temperature :** 6500K

**Life Time :** 50,000 hrs

**Beam Angle :** 120°

**Class :** II

## MECHANICAL SPECIFICATIONS

**Material :** Polycarbonate

**Mounting :** Surface mounted

**Lens :** Opal

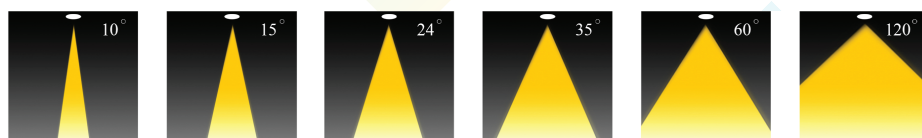
**Finish :** Milky White

**Protection Class :** IP 65

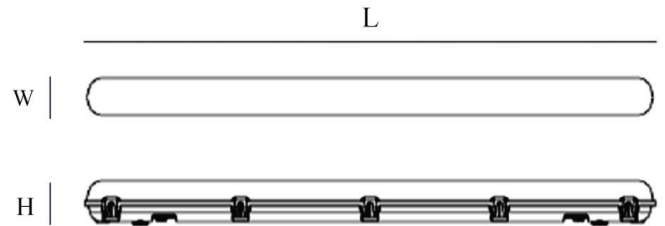
**Mechanical resistance :** IK 08



## OPTICS



Code	Power W	Efficacy Lm/W	Colour Temp. K	Dimensions L×W×H mm	Driver	LED Chip	Weight Kg
136160812000120*2	18*2	95	6500	1270×110×80.5 mm	CE	Lumiled	1.365



## CUSTOMISZE OPTIONS

3K

Light  
Temperature  
3000K

4K

Light  
Temperature  
4000K

6.5K

Light  
Temperature  
6500K

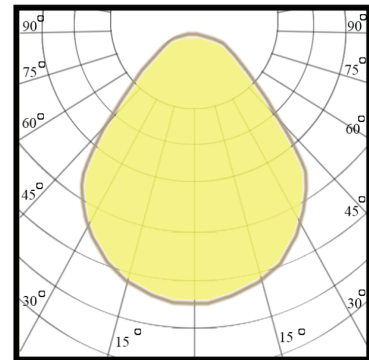
CRI  
>80

Color  
Rendering  
Index >80

DALI

IK10

## POLAR CURVE



# OUR SUCCESS PARTNERS



"Thank you for trusting Us"

At Smart Lighting, We deeply value the trust you've placed in Us. Your confidence drives us to continually improve, innovate, and deliver the best in smart lighting solution. Every partnership we build is a testament to our commitment to quality, reliability, and excellence.

We are dedicated to earning the trust of more customers by consistently offering cutting-edge technology personalized support, and lighting solutions that meet the highest standards. Thank you for being a part of our journey, and we look forward to lighting the way to a brighter future together.

# Our Customers


# Our Customers





# SMART LIGHTING

 Address : Fourth Industrial Zone, PART 38., Badr City, Cairo

 (+2) 02 8605058

 (+2) 011 277 555 01

 (+2) 011 277 555 15

 [info@smartlightingco.com](mailto:info@smartlightingco.com)

 [www.smartlightingco.com](http://www.smartlightingco.com)

