

# Double Downlight

SLT-3205



## PERFORMANCE DATA

**Efficacy :** 100 Lm/W

**Input Voltage :** 220 - 240V

**Frequency :** 50-60Hz

**Color Rendering :** CRI 80

**Color Temperature :** 4000K

**Life Time :** 50.000 hrs

**Optic :** 35°

**Class :** II

## MECHANICAL SPECIFICATIONS

**Material :** Die Cast Aluminium

**Mounting :** Recessed Double Spot

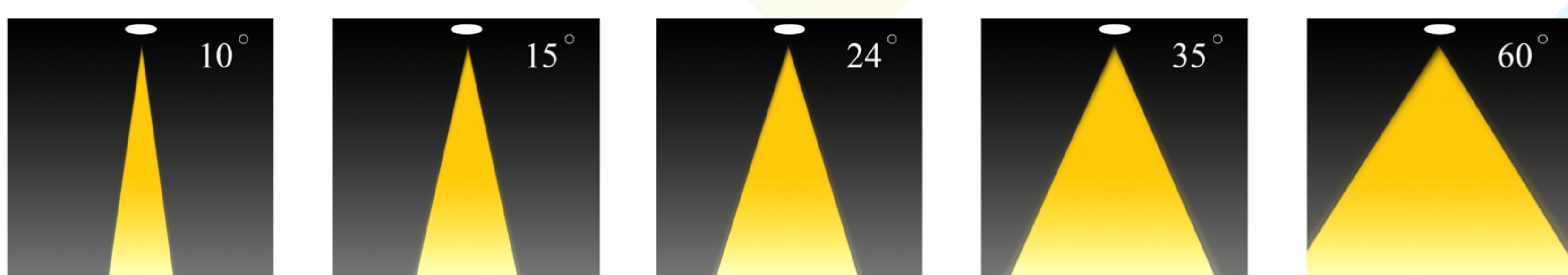
**Lens :** Glass

**Finish :** White & Black

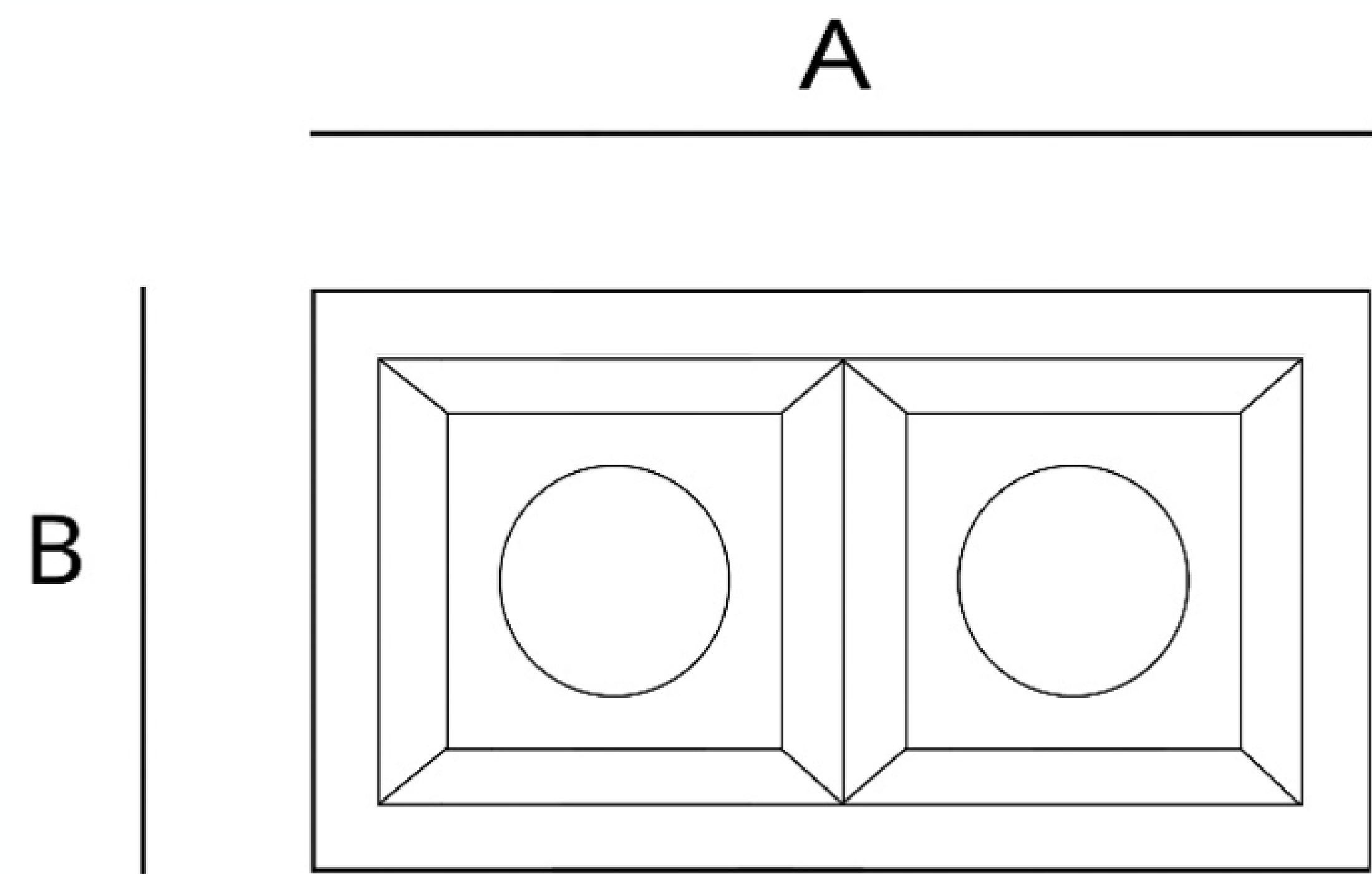
**Protection Class :** IP 54

**Mechanical Resistance :** IK 07

## OPTICS



Code	Power W	Efficacy Lm/W	Colour Temp. K	Dimensions A - B mm	Driver	LED Chip	Weight
32051XXXXXXOT0XX	2 x 9 2x10 2x12	100	3000 4000		Tridonic Lifud	Osram	



## CUSTOMISZE OPTIONS

3K

Light  
Temperature  
3000K

4K

Light  
Temperature  
4000K

6.5K

Light  
Temperature  
6500K

CRI  
>80

Color  
Rendering  
Index >80

DALI

IK10

## POLAR CURVE

