

Downlight

SLT-8021



PERFORMANCE DATA

Efficacy : 90 Lm/W

Input Voltage : 220 - 240V

Frequency : 50-60Hz

Color Rendering : CRI 80

Color Temperature : 4000K

Life Time : 50.000 hrs

Optic : 24°

Class : II

CutOut : 145 mm

MECHANICAL SPECIFICATIONS

Material : Die Cast Aluminium

Mounting : Recessed mounted

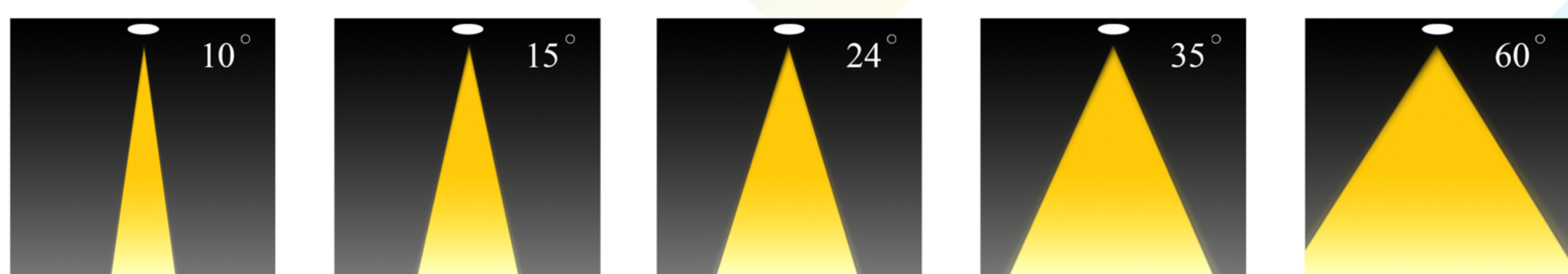
Lens : Glass

Finish : White

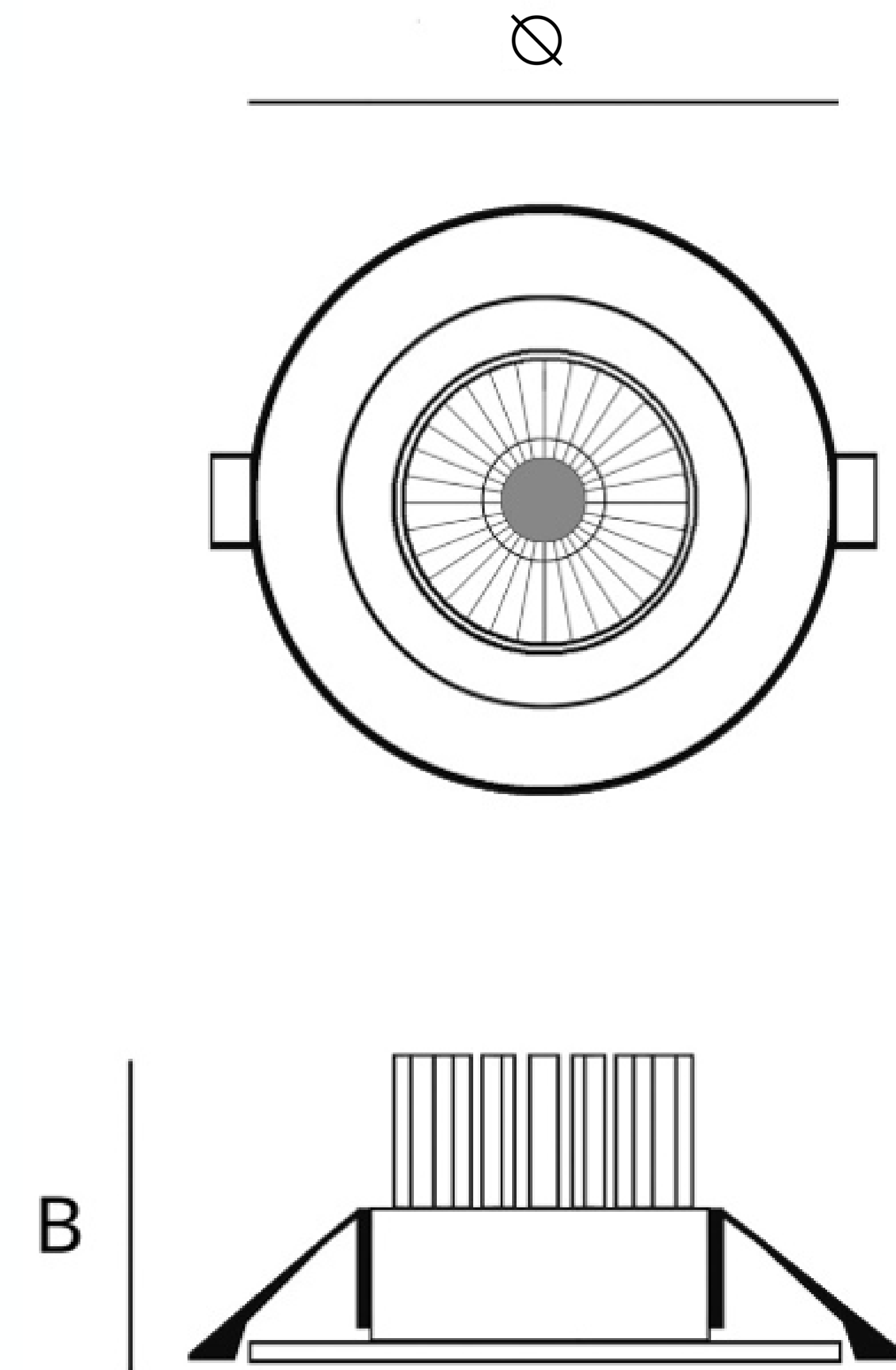
Protection Class : IP 54

Mechanical Resistance : IK 07

OPTICS



Code	Power W	Efficacy Lm/W	Colour Temp. K	Dimensions ∅×B mm	Driver	LED Chip	Weight Kg
8021XXXXXXXXOT010	10	90	3000 4000 6500	95×75 mm	Tridonic	Osram	0.105



CUSTOMISZE OPTIONS

3K

Light
Temperature
3000K

4K

Light
Temperature
4000K

6.5K

Light
Temperature
6500K

CRI
>80

Color
Rendering
Index >80

FINISH

Black

DALI

POLAR CURVE

