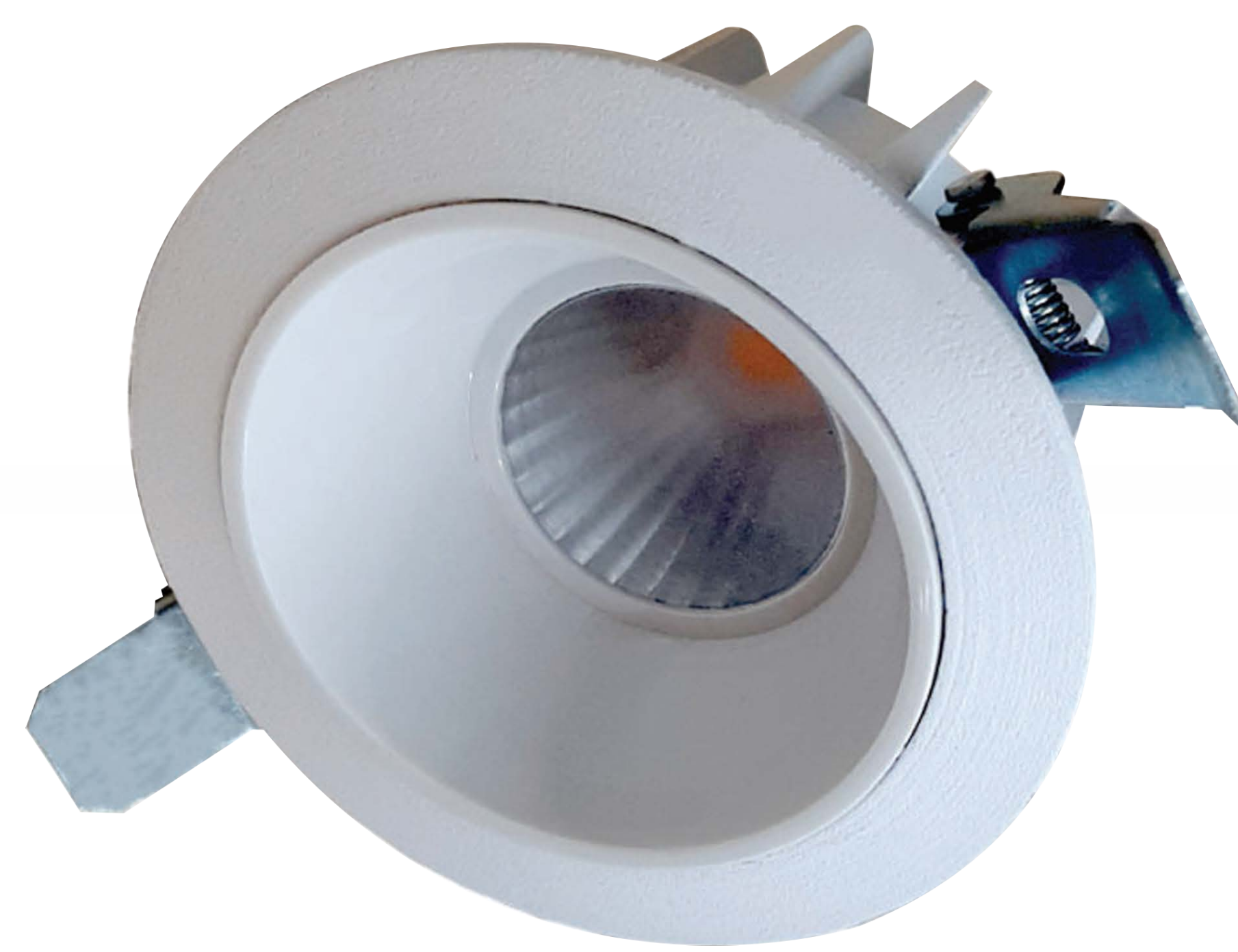


Downlight

SLT-8030



PERFORMANCE DATA

Efficacy : 130 Lm/W

Input Voltage : 220 - 240V

Frequency : 50-60Hz

Color Rendering : CRI 80

Color Temperature : 4000K

Life Time : 50.000 hrs

Optic : 30°

Class : II

CutOut : 80 mm

MECHANICAL SPECIFICATIONS

Material : Die Cast Aluminium

Mounting : Recessed mounted

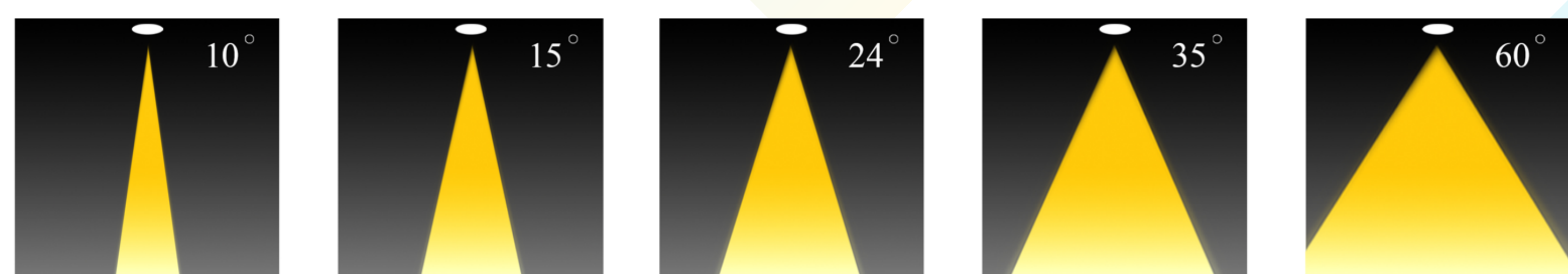
Lens : Glass

Finish : White

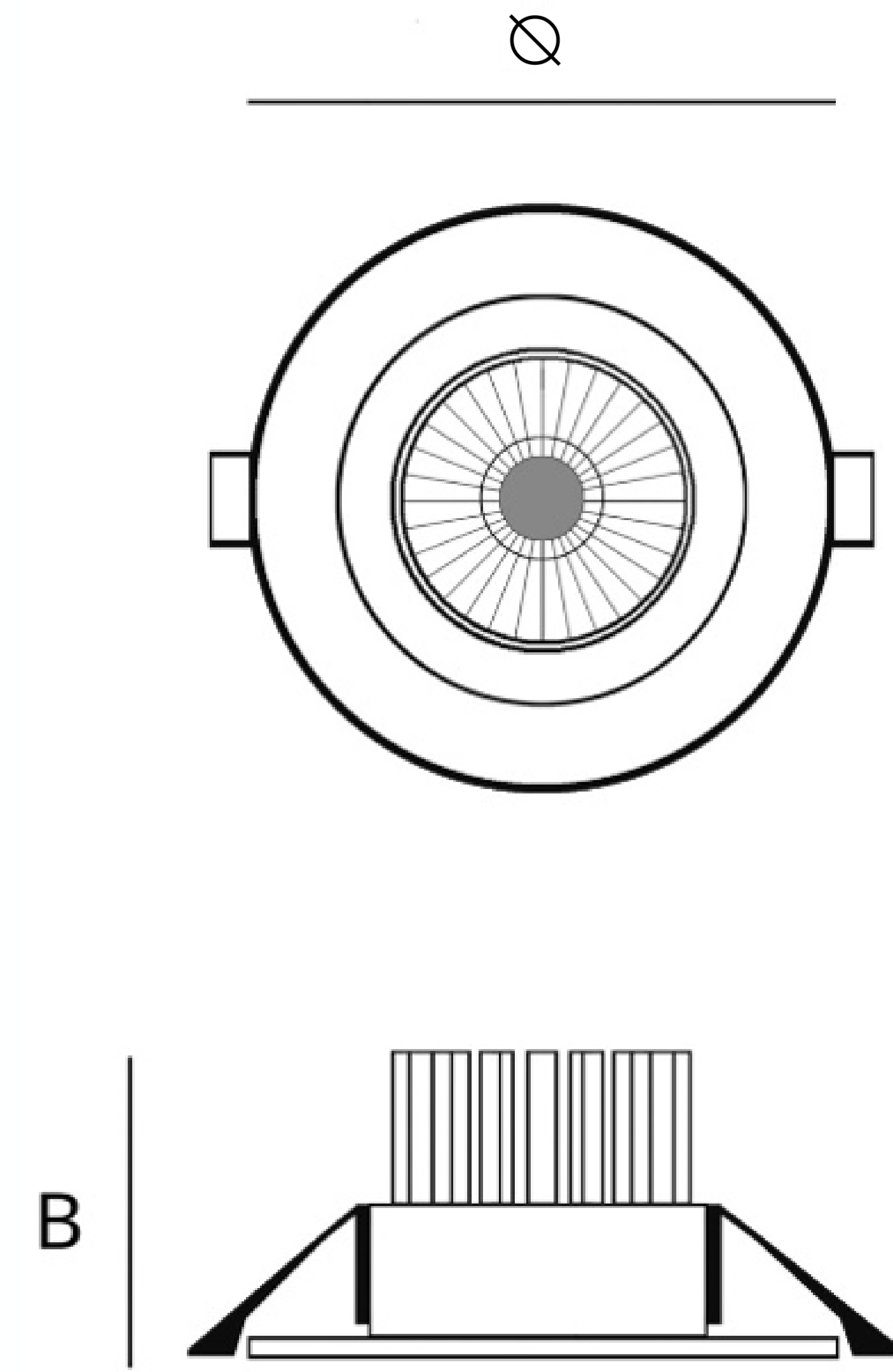
Protection Class : IP 44-54

Mechanical Resistance : IK 06

OPTICS



Code	Power W	Efficacy Lm/W	Colour Temp. K	Dimensions ∅×B mm	Driver	LED Chip	Weight Kg
80301XX8030VVXXX	8 10 12	130	3000 4000 6000	95×75 mm	VS	VS	0.335



CUSTOMISZE OPTIONS

3K

Light
Temperature
3000K

4K

Light
Temperature
4000K

6.5K

Light
Temperature
6500K

CRI
>80

Color
Rendering
Index >80

DALI

IK10

POLAR CURVE

