

Magnetic track

SLT-MT01



PERFORMANCE DATA

Efficacy : 85 Lm/W

Input Voltage : 48V

Frequency : 50Hz

Color Rendering : CRI 80

Color Temperature : 4000K

Life Time : 30,000 hrs

Optic : 30 °

Class : III

MECHANICAL SPECIFICATIONS

Material : die casting Aluminum

Mounting : Magnetic track light

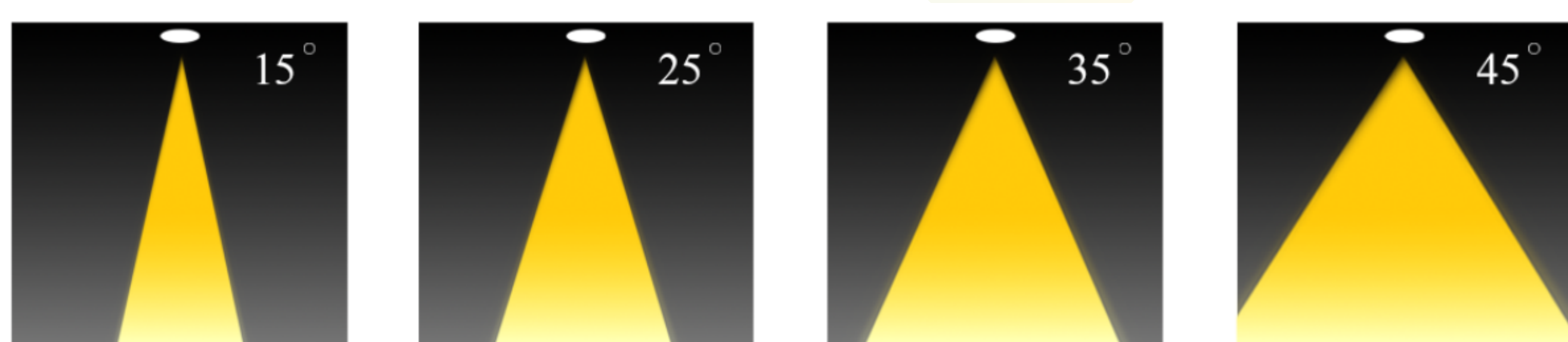
Lens : Opal

Finish : Black

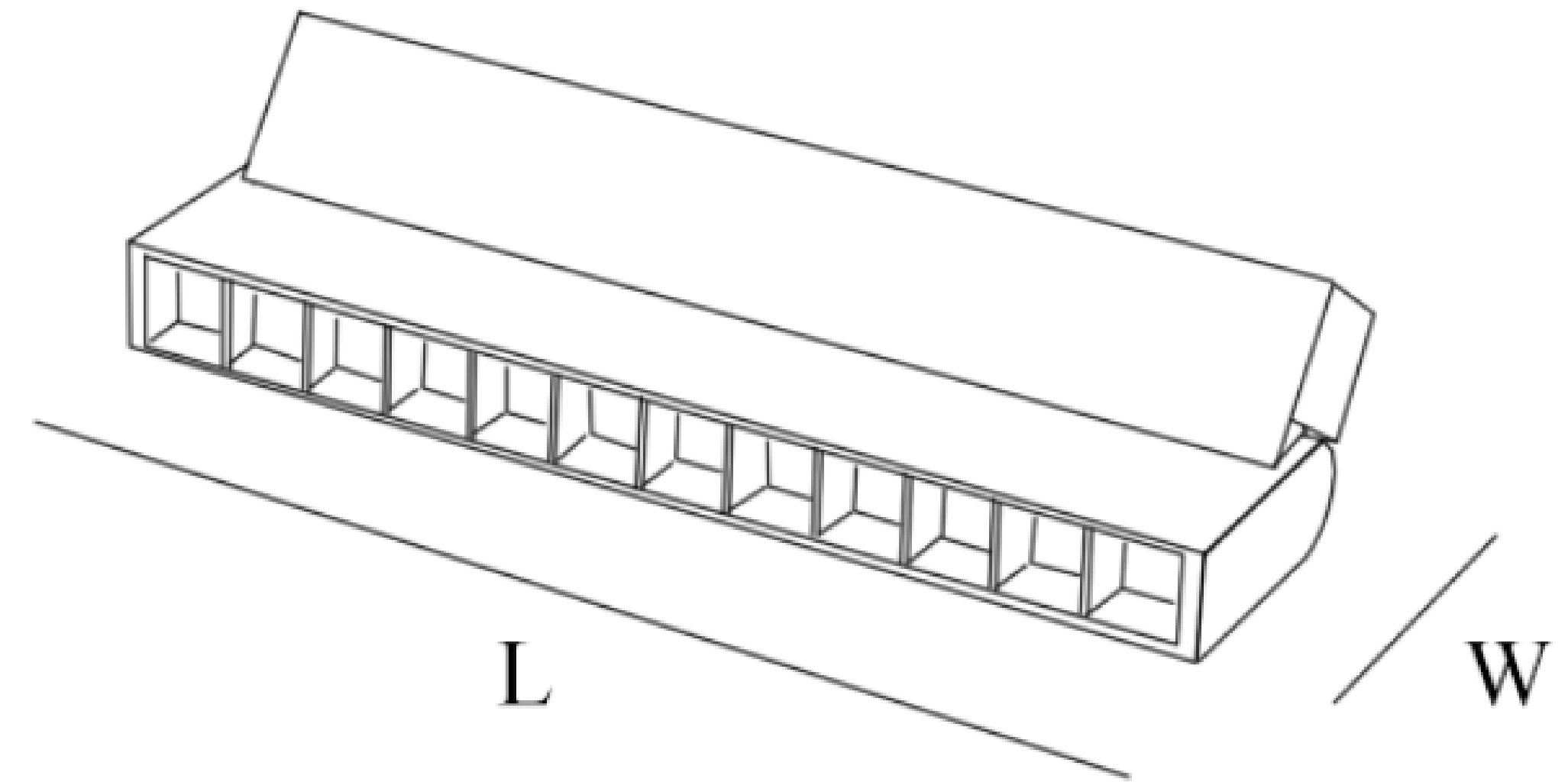
Protection Class : IP 20

Mechanical resistance : IK 03

OPTICS



Code	Power W	Efficacy Lm/W	Colour Temp. K	Dimensions L×W×H mm	Driver	LED Chip	Weight Kg
MT012XX8120XXXXXX	18 50	85	3000 4000	343×22×100 mm -	Tridonic Ltech	Osram Bridgelux	0.600



CUSTOMISZE OPTIONS

3K

Light
Temperature
3000K

4K

Light
Temperature
4000K

6.5K

Light
Temperature
6500K

CRI
>80

Color
Rendering
Index >80

DALI

IK10

POLAR CURVE

