

# Magnetic track

SLT-MT05



## PERFORMANCE DATA

**Efficacy :** 85 Lm/W

**Input Voltage :** 48V

**Frequency :** 50Hz

**Color Rendering :** CRI 80

**Color Temperature :** 4000K

**Life Time :** 30,000hrs

**Optic :** 24°

**Class :** III

## MECHANICAL SPECIFICATIONS

**Material :** die casting Aluminum

**Mounting :** Magnetic track light

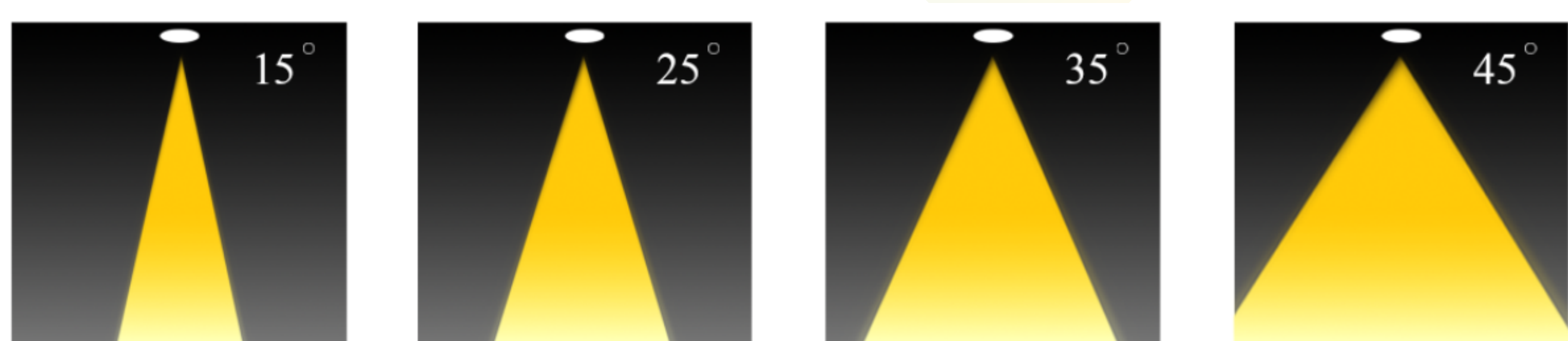
**Lens :** Glass

**Finish :** Black

**Protection Class :** IP 20

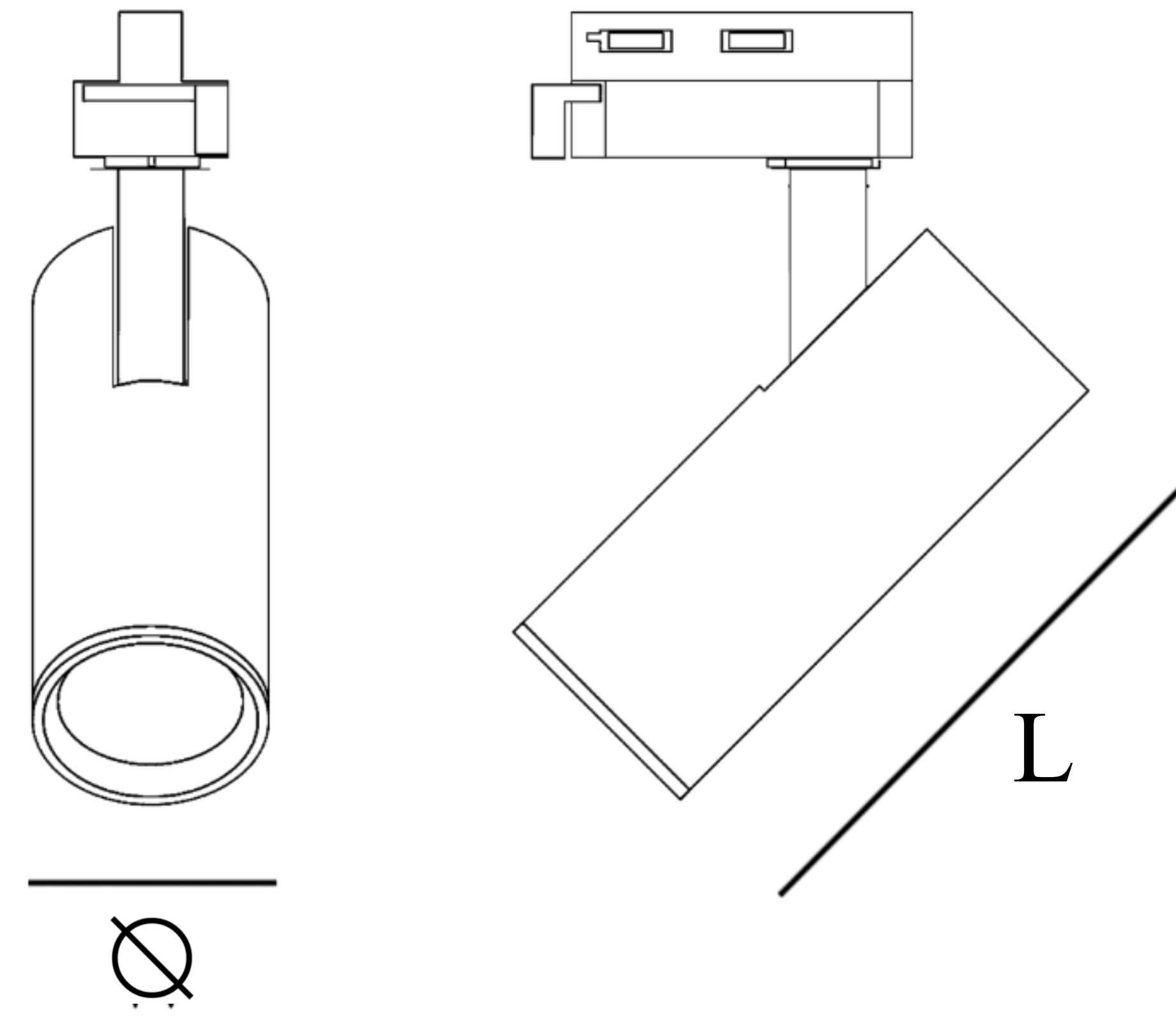
**Mechanical resistance :** IK 03

## OPTICS





Code	Power W	Efficacy Lm/W	Colour Temp. K	Dimensions ∅ xL mm	Driver	LED Chip	Weight Kg
MT052409XXXOX024	24	85	4000	76×182 mm	Tridonic Ltech	Osram Bridgelux	0.400



## CUSTOMISZE OPTIONS

3K

Light  
Temperature  
3000K

4K

Light  
Temperature  
4000K

6.5K

Light  
Temperature  
6500K

CRI  
>80

Color  
Rendering  
Index >80

DALI

IK10

## POLAR CURVE

