

Magnetic track Spot

SLT-MT07



PERFORMANCE DATA

Efficacy : 90 Lm/W

Input Voltage : 220-240V AC

Frequency : 50-60Hz

Color Rendering : CRI 80

Color Temperature : 4000K

Life Time : 30,000hrs

Optic : 60°

Class : III

MECHANICAL SPECIFICATIONS

Material : Die casting Aluminum

Mounting : Magnetic track light

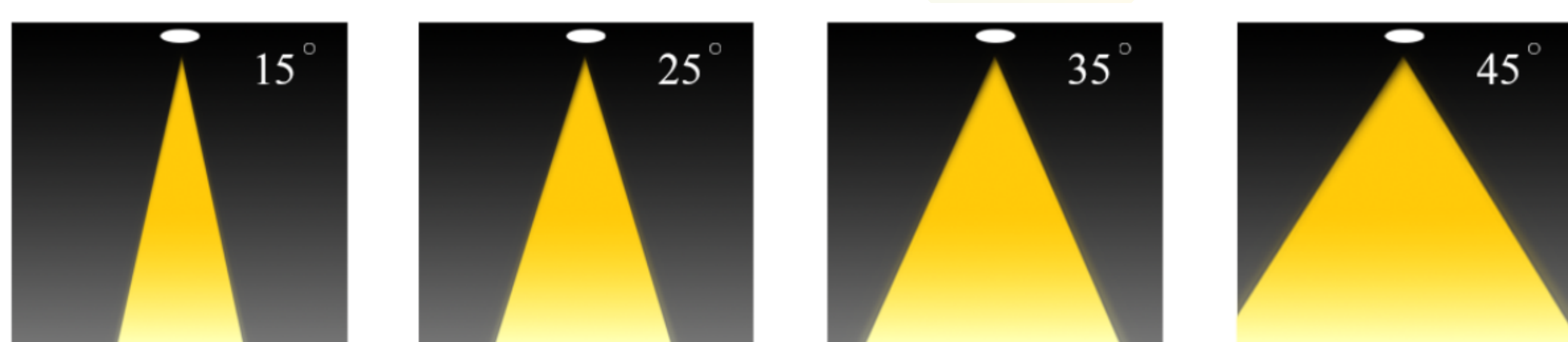
Lens : Glass

Finish : Black

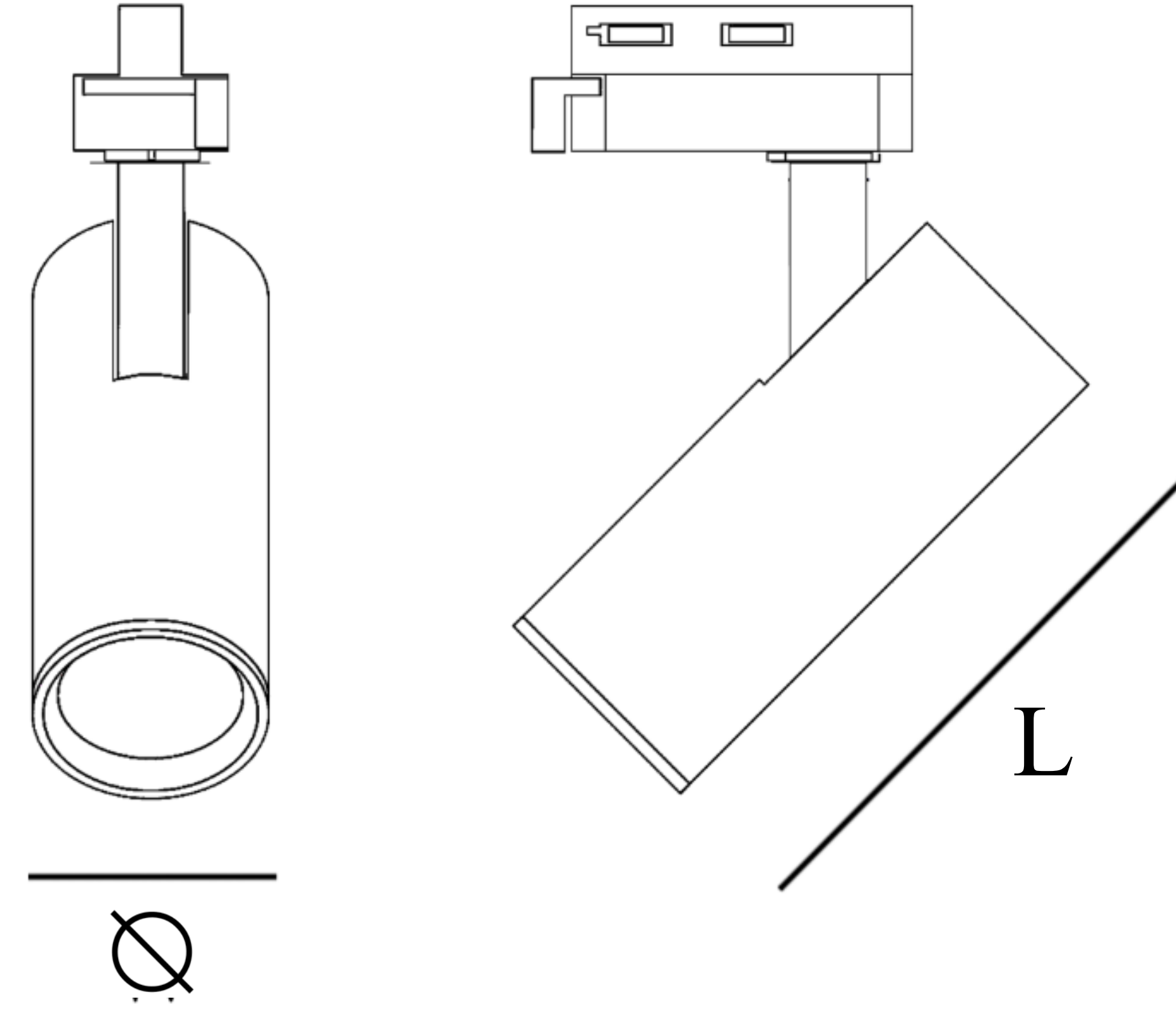
Protection Class : IP 20

Mechanical resistance : IK 03

OPTICS



Code	Power W	Efficacy Lm/W	Colour Temp. K	Dimensions Ø x L mm	Driver	LED Chip	Weight Kg
MT072XX8060OX010	10	90	3000 4000	48×105 mm	48 V	Osram	0.400



CUSTOMISZE OPTIONS

3K

Light
Temperature
3000K

4K

Light
Temperature
4000K

6.5K

Light
Temperature
6500K

CRI
>80

Color
Rendering
Index >80

DALI

IK10

POLAR CURVE

