

Projector

SLT-P101



PERFORMANCE DATA

Efficacy : 88.7 Lm/W

Input Voltage : 110-240V

Frequency : 50-60 Hz

Color Rendering : CRI 80

Color Temperature : 3000K

Life Time : 50.000 hrs

Optic : 36°

Class : I

MECHANICAL SPECIFICATIONS

Material : Aluminum Die Cast

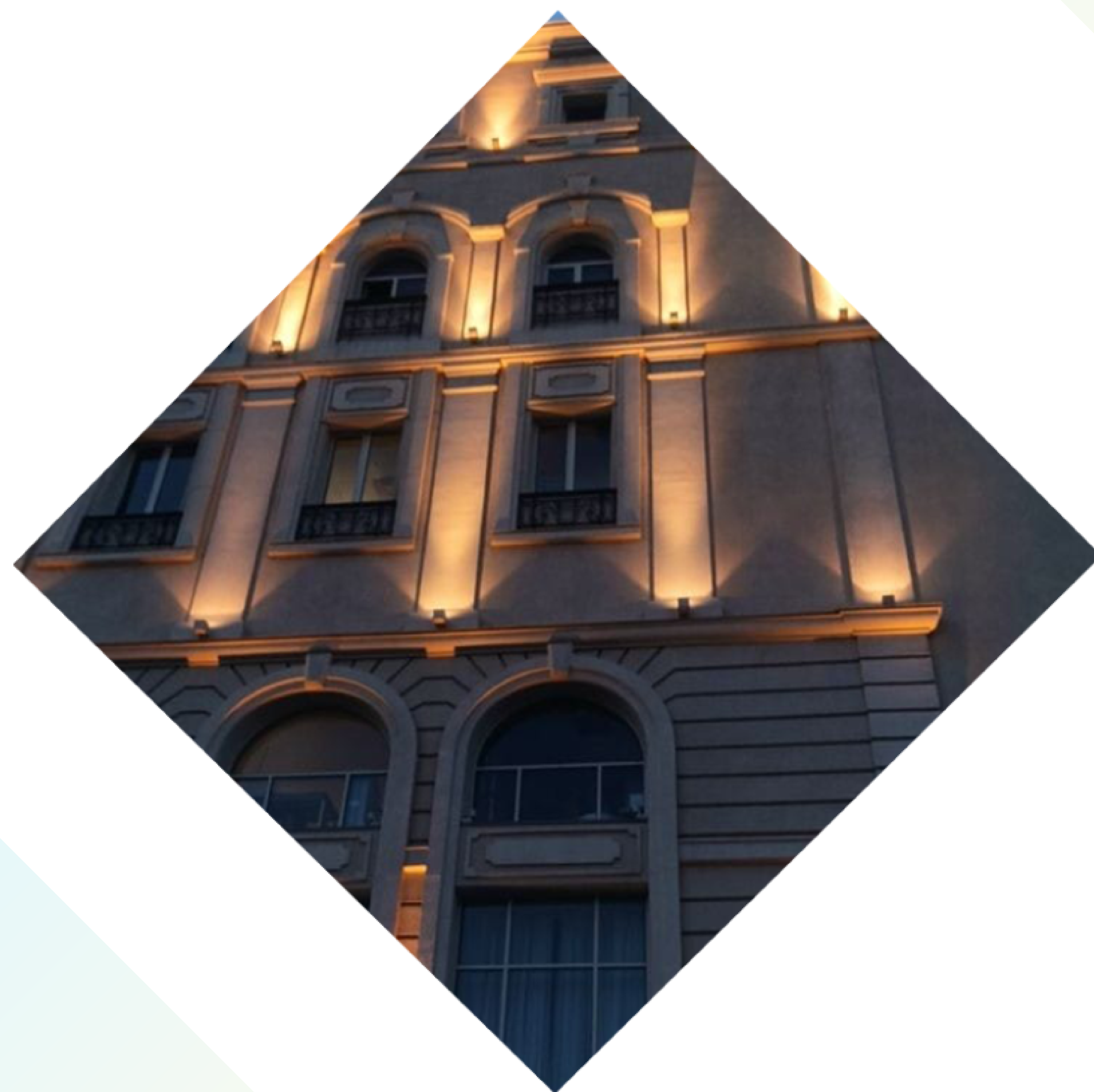
Mounting : Surface Mounted

Lens : Clear Tampered Glass

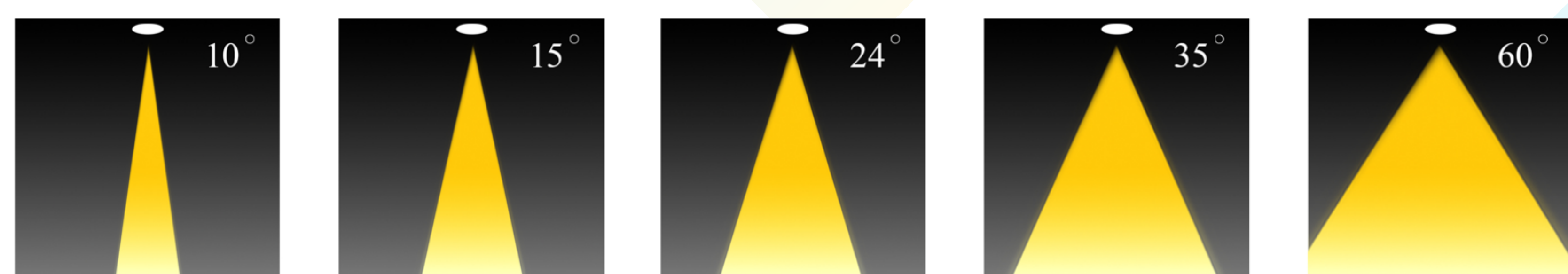
Finish : Gray RAL 7016

Protection Class : IP 65

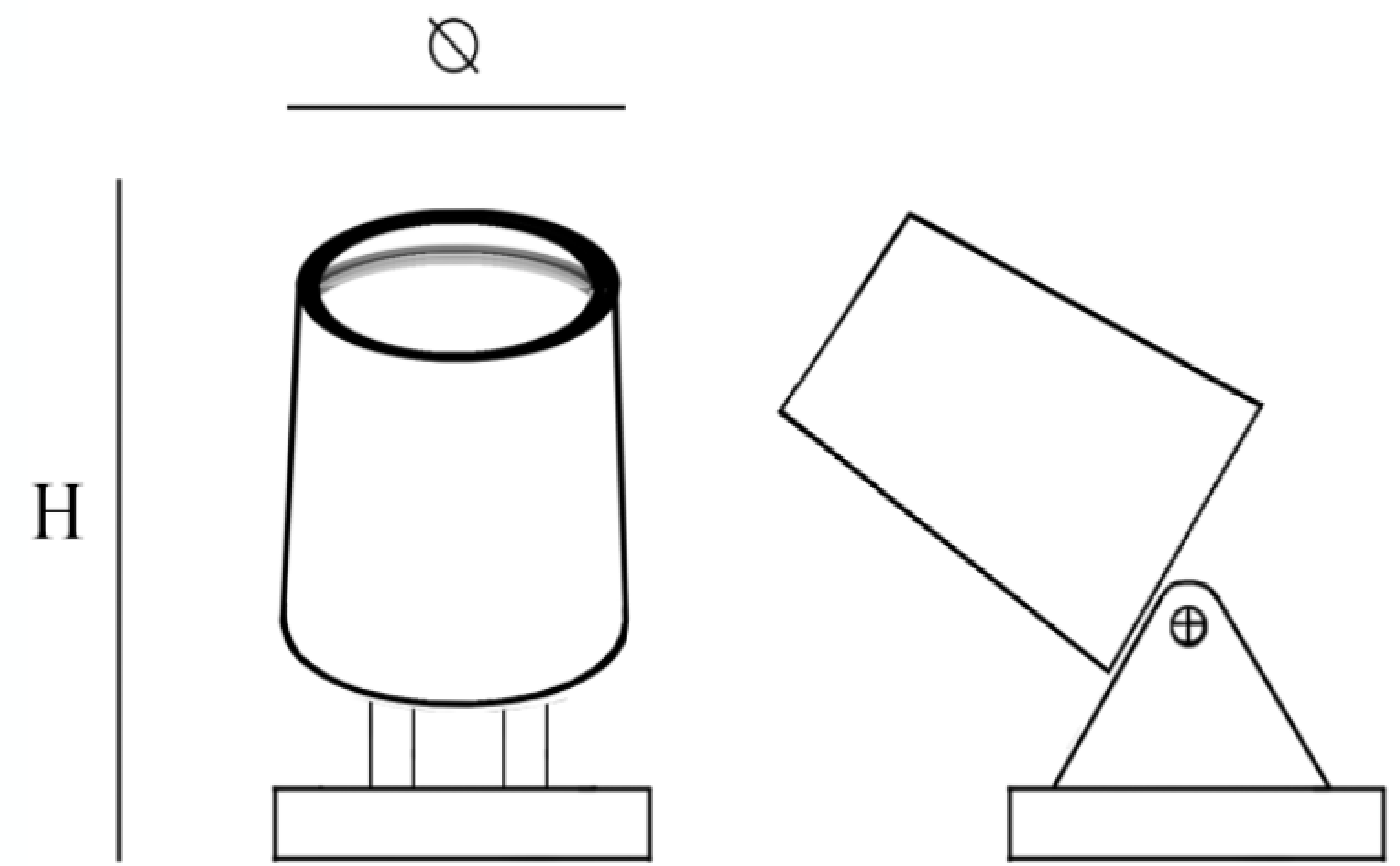
Mechanical Resistance : IK 08



OPTICS



Code	Power W	Efficacy Lm/W	Colour Temp. K	Dimensions Ø xH mm	Driver	LED Chip	Weight
P101330X036CX010	10	88.7	3000	80x194 mm	Done Tridonic	Cree	



CUSTOMISZE OPTIONS

3K

Light
Temperature
3000K

4K

Light
Temperature
4000K

6.5K

Light
Temperature
6500K

CRI
>80

Color
Rendering
Index >80

DALI

IK10

POLAR CURVE

