

Track light

SLT-TR03



PERFORMANCE DATA

Efficacy : 120 Lm/W

Input Voltage : 220 - 240V

Frequency : 50-60Hz

Color Rendering : CRI 80

Color Temperature : 6500K

Life Time : 50,000 hrs

Optic : 25°

Class : I

MECHANICAL SPECIFICATIONS

Material : Die cast Aluminum

Mounting : On track

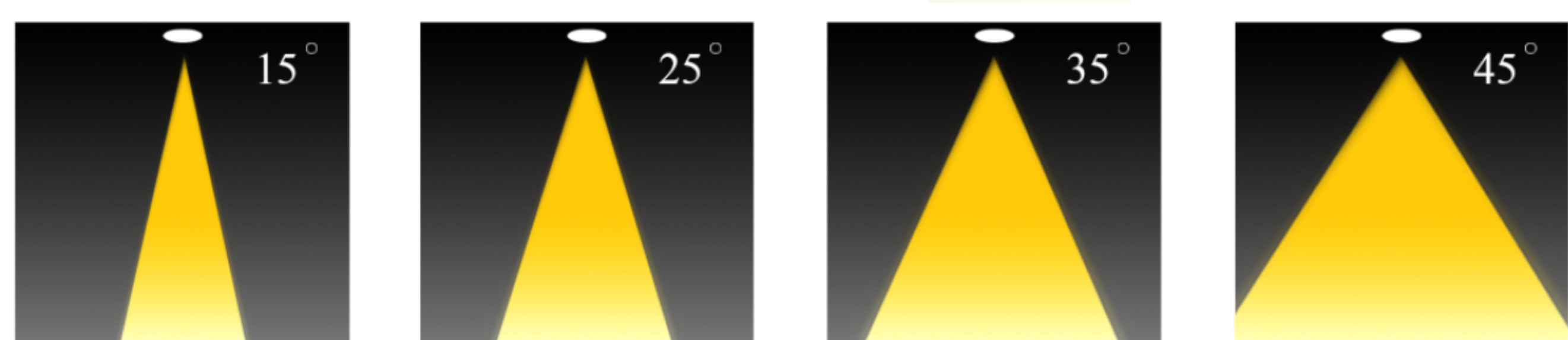
Lens : Glass

Finish : White

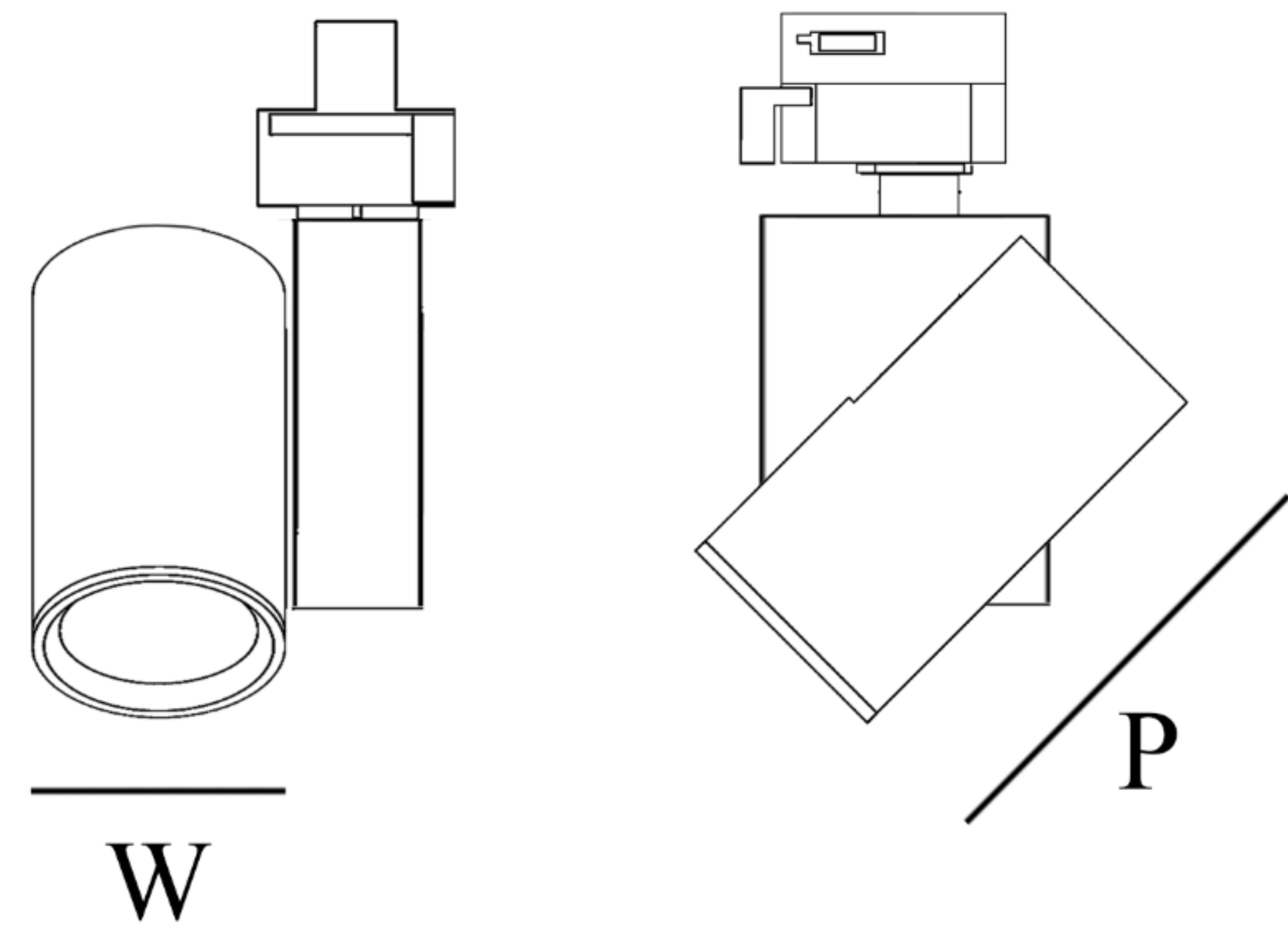
Protection Class : IP 44

Mechanical resistance : IK 03

OPTICS



| Code | Power W | Efficacy Lm/W | Colour Temp. K | Dimensions WxP mm | Driver | LED Chip | Weight |
|------------------|------------|------------------|-------------------|----------------------|----------|----------|--------|
| TR03165XXXXCTXXX | 20 24 | 120 | 3000 6500 | | Tridonic | Cree | |



CUSTOMISZE OPTIONS

3K

Light
Temperature
3000K

4K

Light
Temperature
4000K

6.5K

Light
Temperature
6500K

CRI
>80

Color
Rendering
Index >80

DALI

IK10

POLAR CURVE

