

# Street Light

SLT-9018



## PERFORMANCE DATA

**Efficacy :** 150 Lm/W

**Input Voltage :** 85 - 650V AC

**Frequency :** 50-60Hz

**Color Rendering :** CRI 70

**Color Temperature :** 6500 K

**Life Time :** 50.000 hrs

**Optic :** 120 °

**Class :** II

## MECHANICAL SPECIFICATIONS

**Material :** Die-casting aluminum

**Mounting :** Pole mounted

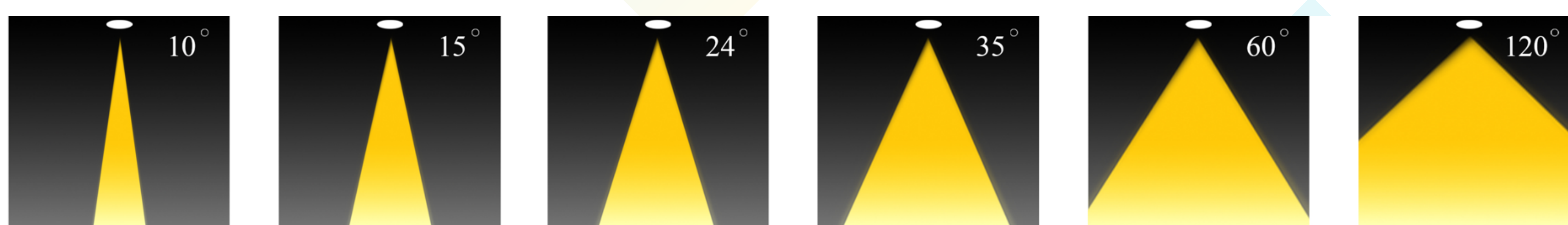
**Lens :** PMMA | PC

**Finish :** Gray (RAL 9002 | RAL7040)

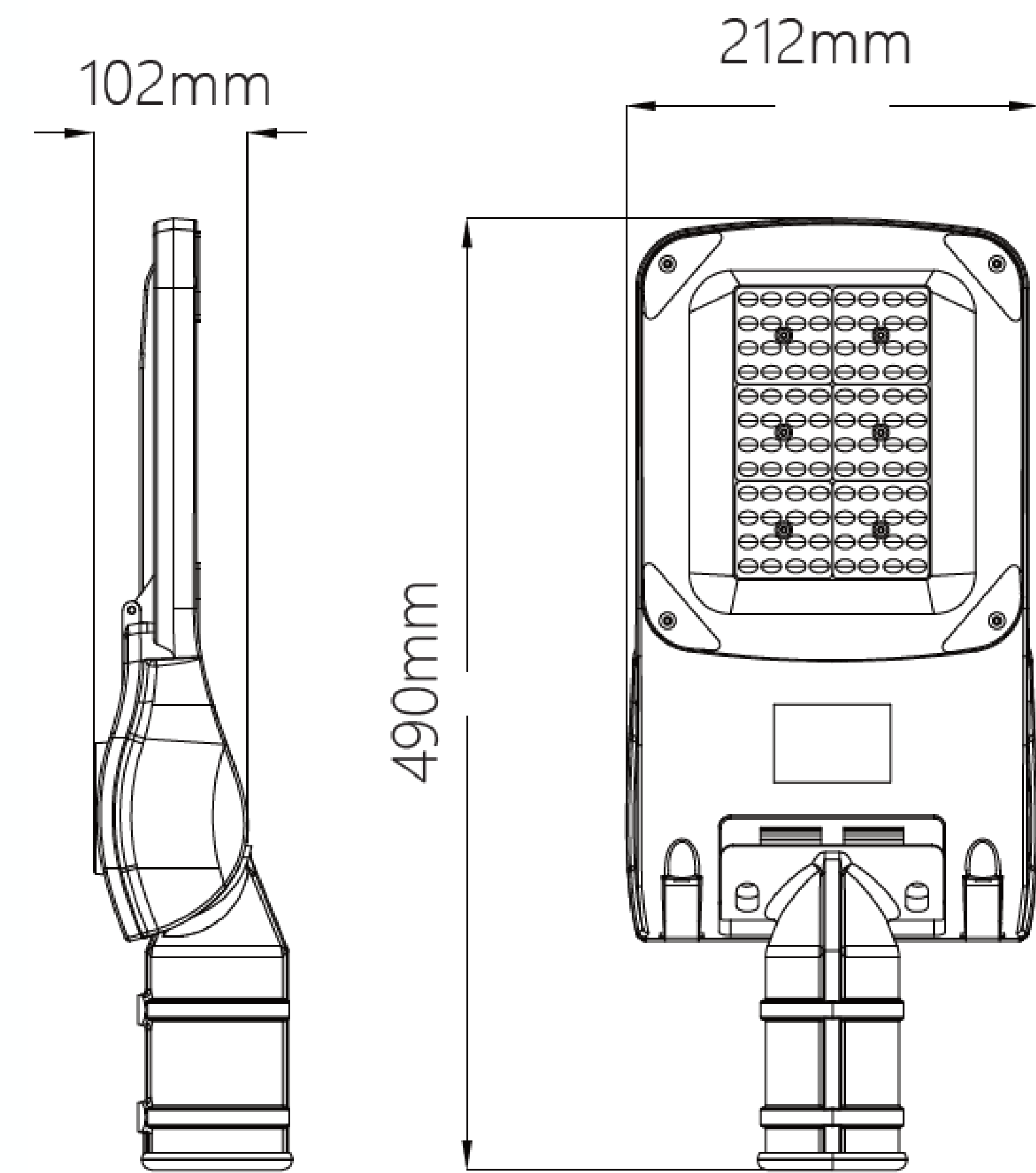
**Protection Class :** IP 65

**Mechanical Resistance :** IK 08

## OPTICS



Code	Power W	Efficacy Lm/W	Colour Temp. M	Dimensions AxBxC mm	Driver	LED Chip	Weight
90183658XXXLX050	50	150	6500	490×212×102	Moso Philips CE	Lumiled	



## CUSTOMISZE OPTIONS

3K

Light  
Temperature  
3000K

4K

Light  
Temperature  
4000K

6.5K

Light  
Temperature  
6500K

CRI  
>80

Color  
Rendering  
Index >80

DALI

IK10

## POLAR CURVE

