

Adjustable Surface Downlight

SLT-5554



PERFORMANCE DATA

Efficacy : 130 Lm/W

Input Voltage : 220 - 240V

Frequency : 50-60Hz

Color Rendering : CRI 80

Color Temperature : 4000K

Life Time : 50.000 hrs

Optic : 24°

Class : II

MECHANICAL SPECIFICATIONS

Material : Die Cast Aluminum

Mounting : Adjustable Surface mounted

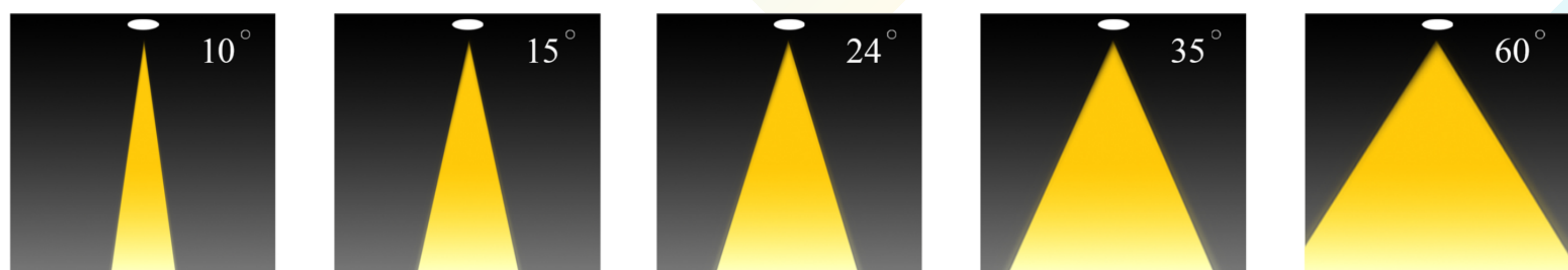
Lens : Acrylic

Finish : White

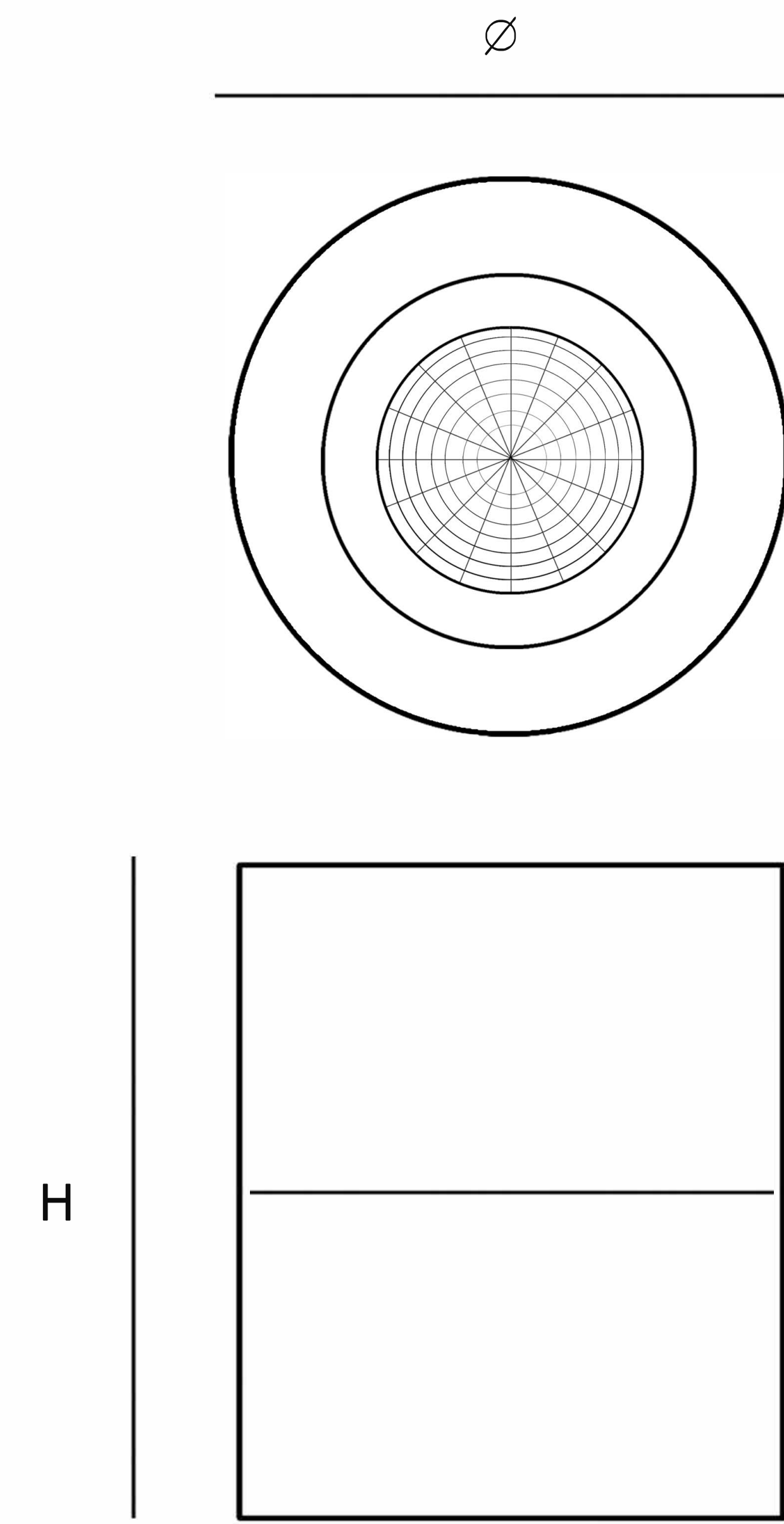
Protection Class : IP 44

Mechanical Resistance : IK 08

OPTICS



Code	Power W	Efficacy Lm/W	Colour Temp. K	Dimensions Ø×Hmm	Driver	LED Chip	Weight
5541XX8024OTXXX	10 14	130	3000 4000 6500	72×108 mm	Tridonic	Osram	0.350



CUSTOMISZE OPTIONS

3K

Light
Temperature
3000K

4K

Light
Temperature
4000K

6.5K

Light
Temperature
6500K

CRI
>80

Color
Rendering
Index >80

FINISH

Black

DALI

POLAR CURVE

