

# Underwater

SLT-UN02



## PERFORMANCE DATA

**Efficacy :** 80 Lm/W

**Input Voltage :** 220VAC

**Frequency :** 50Hz

**Color Rendering :** CRI 80

**Color Temperature :** 3000K

**Life Time :** 50.000 hrs

**Optic :** 36°

**Class :** III

## MECHANICAL SPECIFICATIONS

**Material :** Stainless Steel 316L

**Mounting :** Under Water

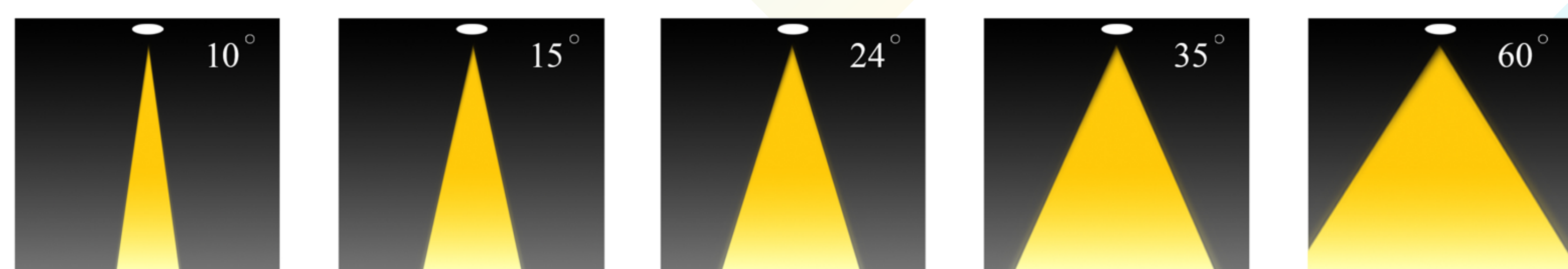
**Lens :** Tempered Glass

**Finish :** Stainless Steel

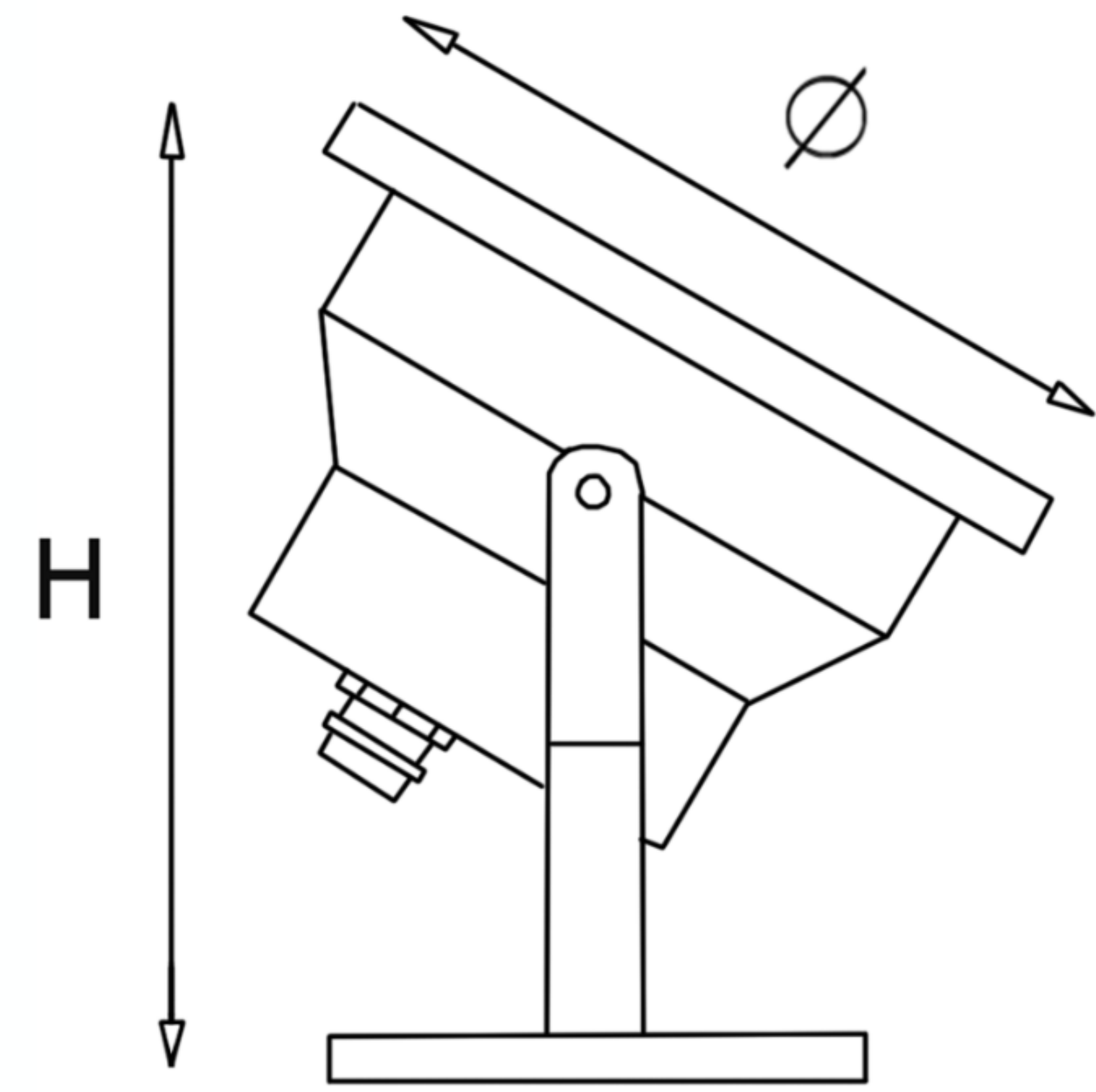
**Protection Class :** IP 68

**Mechanical resistance :** IK 08

## OPTICS



Code	Power W	Efficacy Lm/W	Colour Temp. K	Dimensions Ø x H mm	Driver	LED Chip	Weight
UN130818CB12	12	80	3000	160x76 mm	Built-in	Cree	



## CUSTOMISZE OPTIONS

## POLAR CURVE

<b>3K</b>	<b>4K</b>	<b>6.5K</b>	<b>CRI &gt;80</b>	<b>DALI</b>
Light Temperature 3000K	Light Temperature 4000K	Light Temperature 6500K	Color Rendering Index >80	

